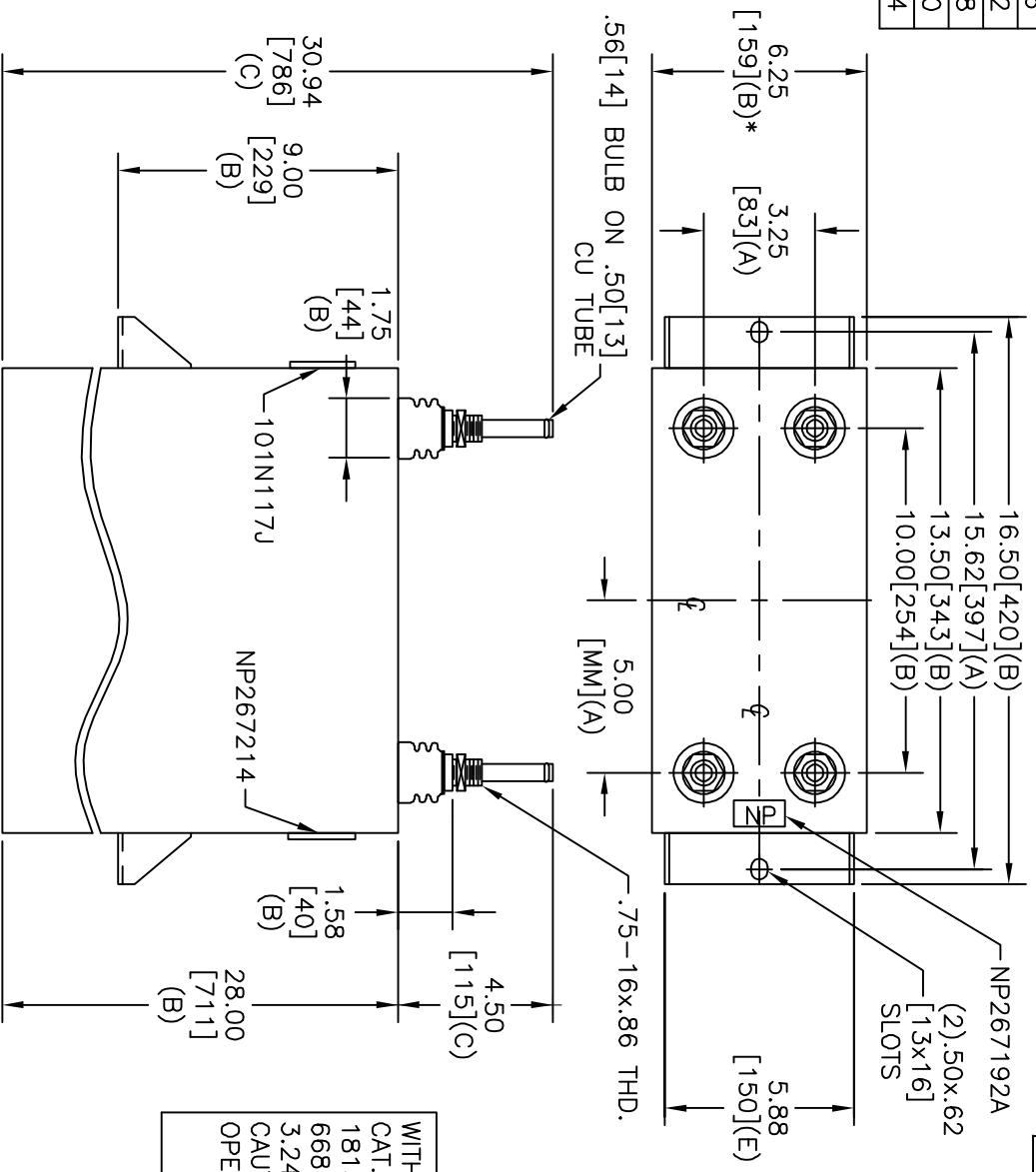
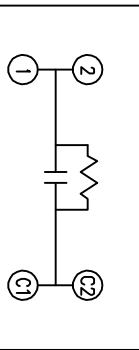


TOL	+/-
A	.06
B	.12
C	.18
D	.50
E	.04



SIZE	DWG NO	SHT	REV
A	19L1246WH4	2	
REV	DESCRIPTION	DATE	APPROVED



SCHEMATIC DIAGRAM - 107

WITH INTERNAL DISCH RESISTORS  
 CAT. 19L1246WH4 SN  
 1815KVAR 1200V 300HZ 1PH  
 668.7 UF  
 3.24 GAL. COMBUSTIBLE LIQUID  
 CAUTION! BEFORE INSTALLING OR  
 OPERATING READ GEH-2733

NP267214

\* UP TO +.50 [13]  
 CASE BULGE

MAX. TERMINAL  
 TIGHTENING TORQUE  
 15 FT-LBS

NP267192A

<b>INDUSTRIAL SYSTEMS</b> FORT EDWARD, N.Y., U.S.A.		DATE	DATE
		ISSUED	DATE
DRAWN	B. ROSS	DATE	DATE
ISSUED		DATE	DATE

SIZE **A**  
 SCALE

**OUTLINE**  
**19L1246WH4**

SHEET 2 CONT 3

DISTR. TO