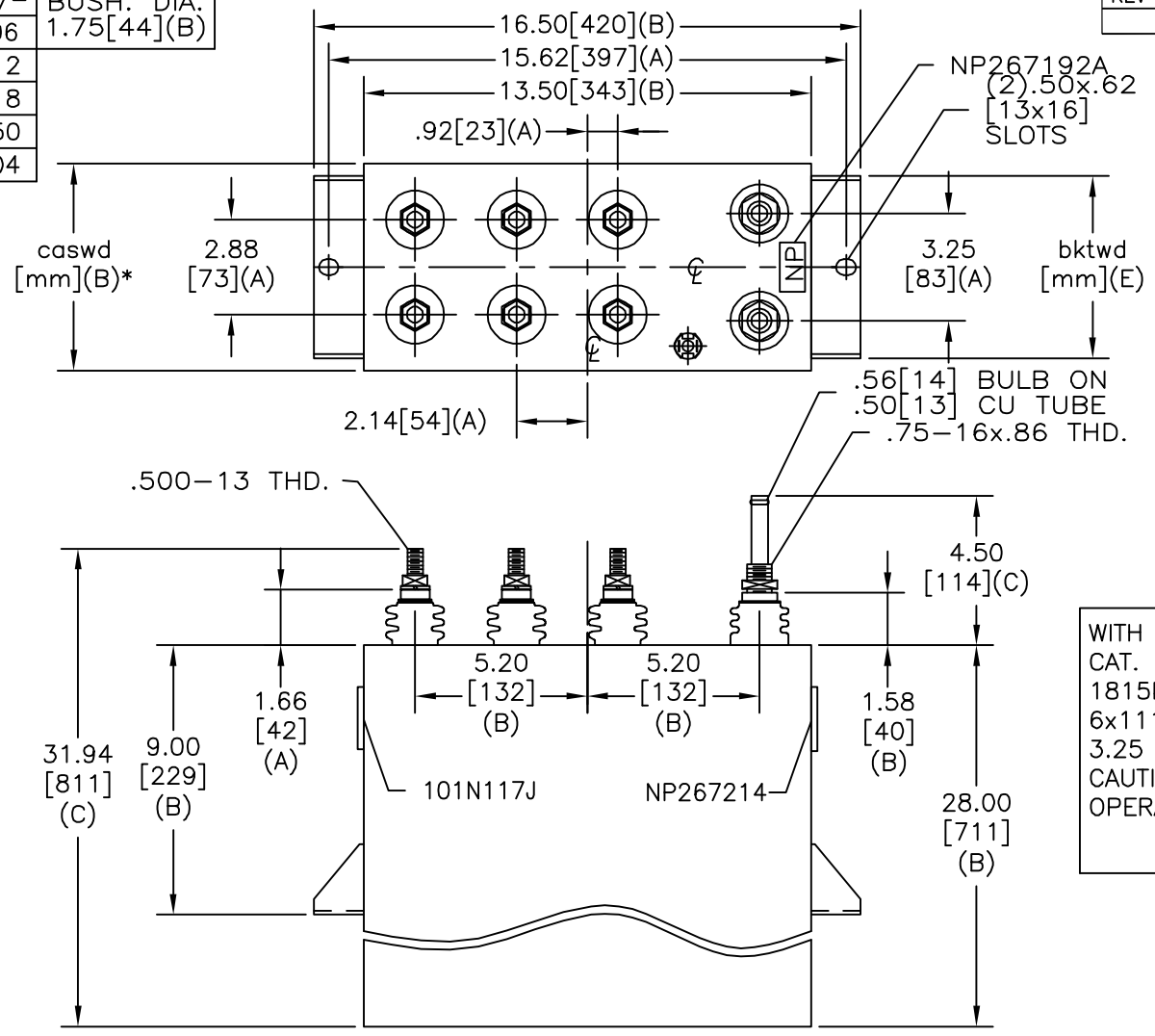
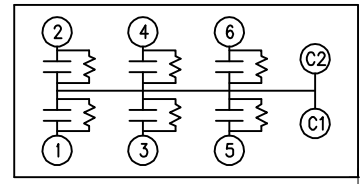


SIZE A	DWG NO 19L1247WH4	SHT 2	REV
REV	DESCRIPTION	DATE	APPROVED

TOL	+/-	BUSH. DIA.
A	.06	1.75[44](B)
B	.12	
C	.18	
D	.50	
E	.04	



TERM	uF	kVAR
1	111.44	302.5
2	111.44	302.5
3	111.44	302.5
4	111.44	302.5
5	111.44	302.5
6	111.44	302.5



SCHEMATIC DIAGRAM - 617

WITH INTERNAL DISCH RESISTORS
 CAT. 19L1247WH4 SN
 1815KVAR 1200V 300HZ 1PH
 6x111.44 UF/TAP
 3.25 GAL. COMBUSTIBLE LIQUID
 CAUTION! BEFORE INSTALLING OR
 OPERATING READ GEH-2733

NP267214

* UP TO +.50[13]
 CASE BULGE

MAX. TERMINAL
 TIGHTENING TORQUE
 15 FT-LBS

NP267192A

INDUSTRIAL SYSTEMS FORT EDWARD, N.Y., U.S.A.		SIZE A	OUTLINE 19L1247WH4	
DRAWN B. ROSS	DATE MAY 19, 2004	SCALE		
ISSUED	DATE 5/26/04	SHEET 2	CONT ON 3	

DISTR. TO