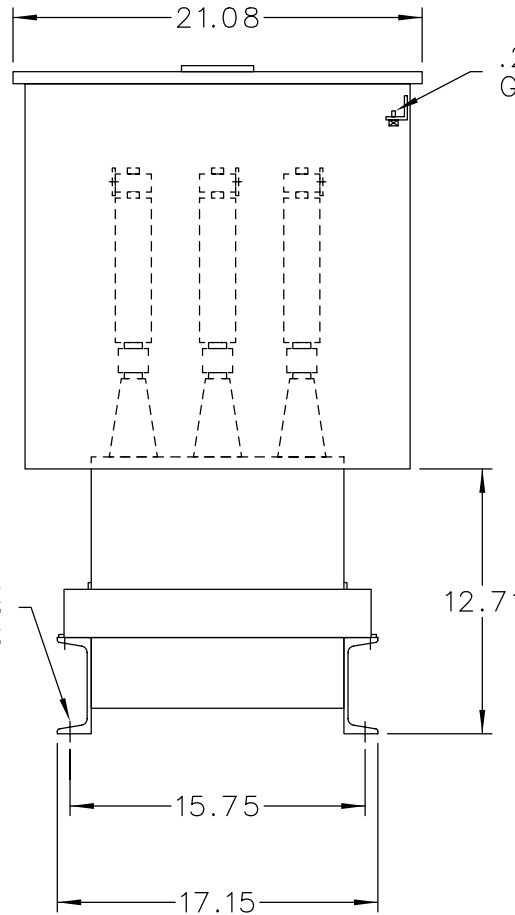
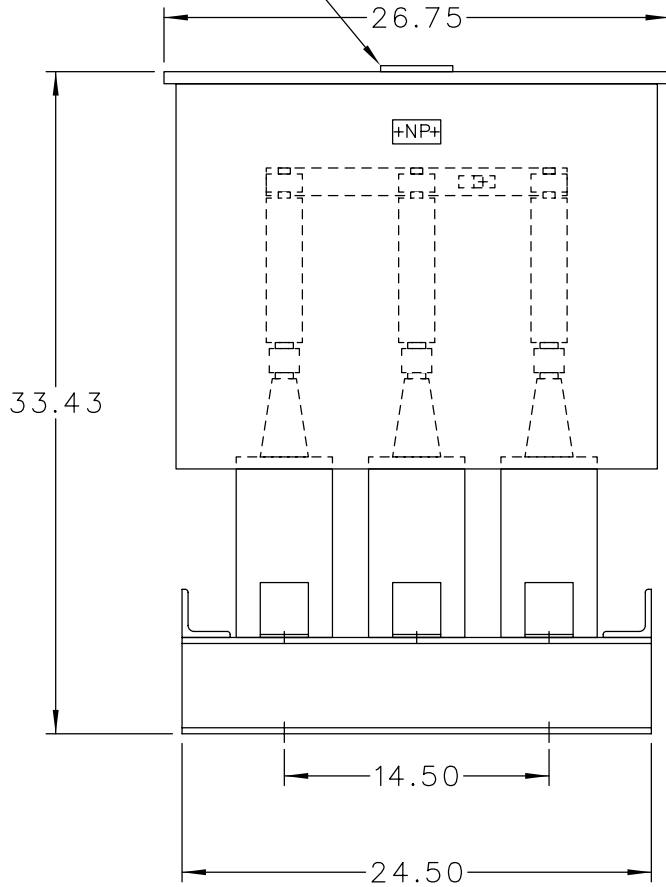
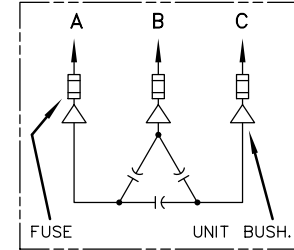


| | | | |
|------------------|----------------------|------|-----|
| SIZE A | DWG NO. 37F0522441 | SH 2 | REV |
| REV 1 | McGINN UPDATE CAT NO | DATE | |

1Ø1N14Ø
LOCATE ON
CENTER OF
COVER



.25-20
GRD SCR.



SCHEMATIC DIAGRAM

INCLUDES DISCHARGE RESISTORS

CAT. 37F0522441 SER.NO.
KVAR 600 VOLT 2400
Hz 60 PH 3 CONN. DELTA
CONN. DIAG.

READ INST. GEH-2711

NP220452

| | | |
|---|-----------------------|--------------------|
| <p>CAPACITOR & POWER PROTECTION FORT EDWARD, N.Y., U.S.A.</p> | <p>DRAWN E.McGINN</p> | <p>MAY 17,1994</p> |
| | <p>ISSUED</p> | <p>5-18-94</p> |

| | |
|--------------------------|------------------------------|
| <p>SIZE A</p> | <p>APPROX.WT 254 LBS</p> |
|--------------------------|------------------------------|

| | |
|-------------------------------|----------------|
| <p>OUTLINE 37F0522441</p> | <p>SHEET 2</p> |
|-------------------------------|----------------|

DISTR TO