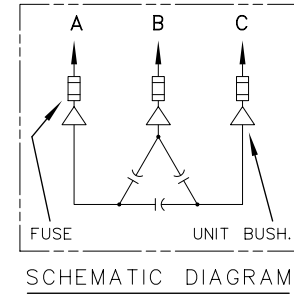
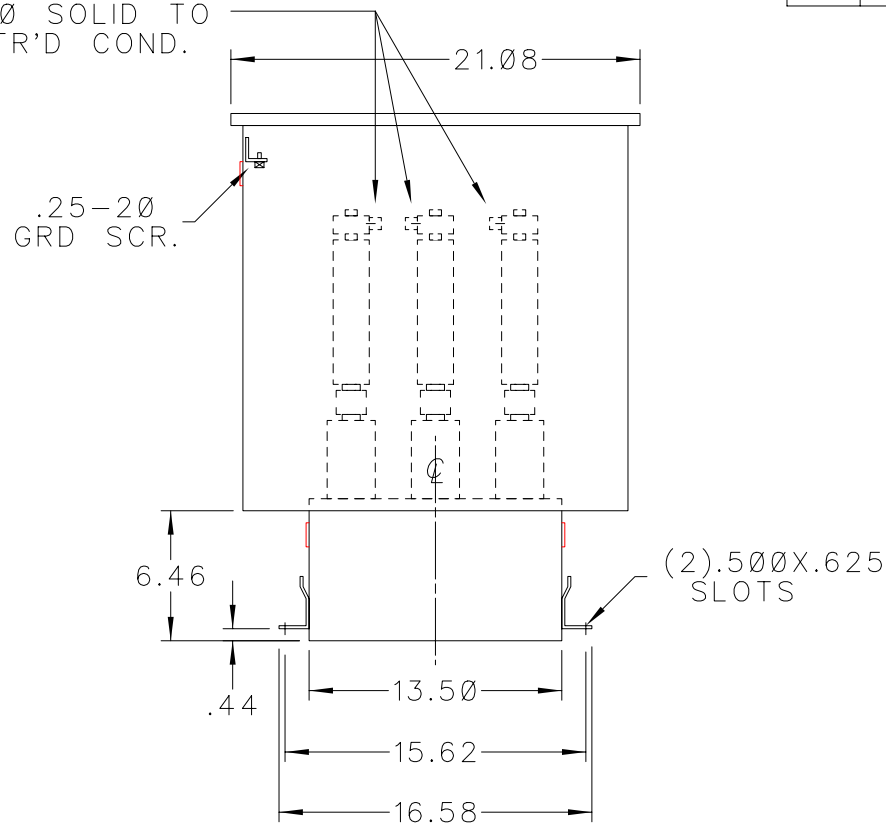
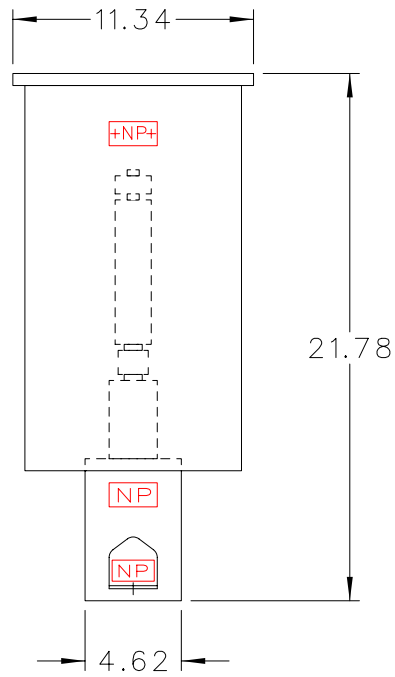


SIZE A	DWG NO. 37F0520331	SH 2	REV
	NEW 6/20/85	DATE	
1	HODGES/UPDATE	13R-89	48


SOLDERLESS CONN.
FOR #10 SOLID TO
#4 STR'D COND.



CAT. 37F0520331 SER.NO.
KVAR 25 VOLT 2400
Hz 60 PH 3 CONN. DELTA
CONN. DIAG.
READ INST. GEH-2711

NP220452

NOTE:
ADD "037" SUFFIX TO
CATALOG NO. FOR
CSA LABELED PRODUCT.

GENERAL  ELECTRIC		SIZE A	OUTLINE	
PWR DEL'Y COMPONENTS OPER. LCTN: HUDSON FALLS NY		APPROX.WT 70 LBS	37F0520331	
DRAWN CHENEY	JUNE 18, 1985			
ISSUED	SCALE	13R-85-81	SHEET	2

DISTR TO