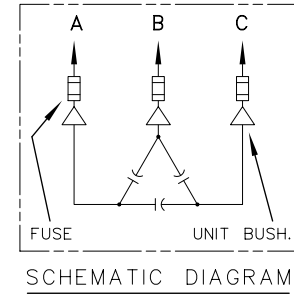
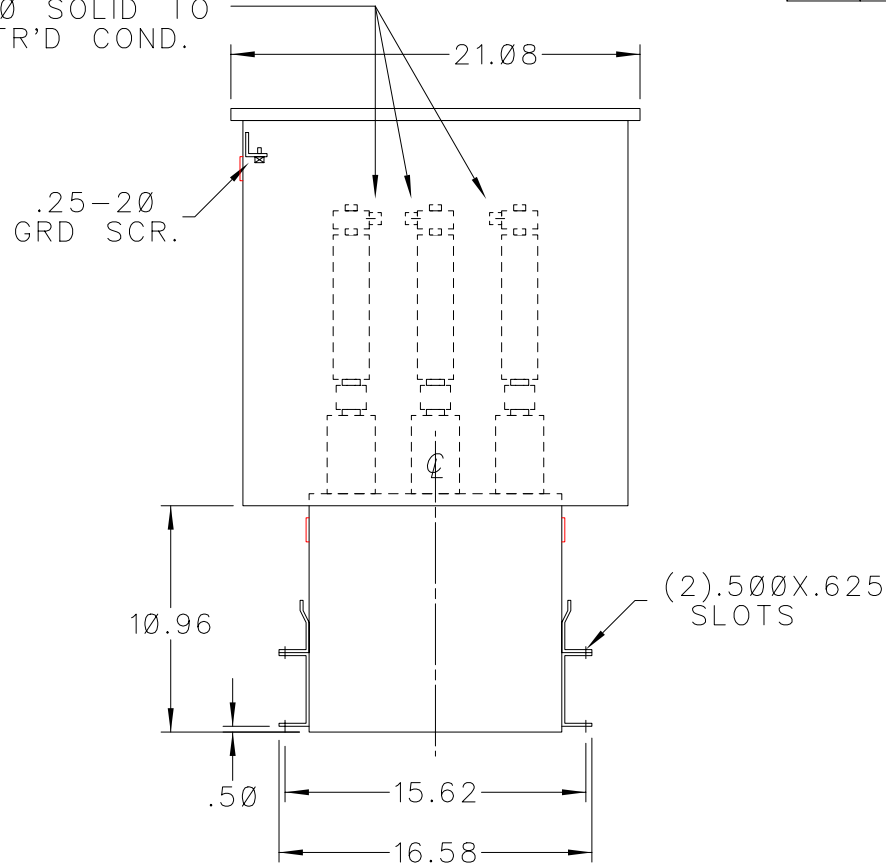
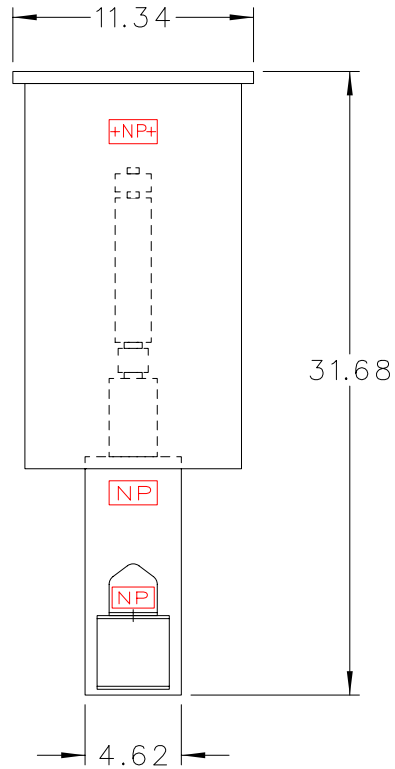


SIZE A	DWG NO. 37F0520333	SH 2	REV
1	5/23/85	DATE	
2	HODGES/UPDATE	13R-89	48


SOLDERLESS CONN.
FOR #10 SOLID TO
#4 STR'D COND.



CAT. 37F0520333 SER.NO.
KVAR 75 VOLT 2400
Hz 60 PH 3 CONN. DELTA
CONN. DIAG.
READ INST. GEH-2711

NP220452

NOTE:
ADD "Ø37" SUFFIX TO
CATALOG NO. FOR
CSA LABELED PRODUCT.

GENERAL  ELECTRIC		SIZE A	APPROX.WT 85 LBS	OUTLINE 37F0520333		DISTR TO
PWR DEL'Y COMPONENTS OPER. LCTN: HUDSON FALLS NY						
DRAWN CHENEY		MAY 17, 1985				
ISSUED		SCALE	13R-85-81	SHEET	2	