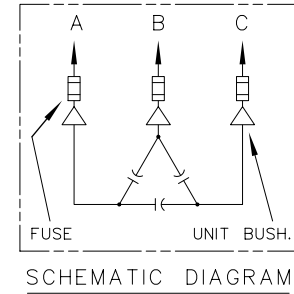
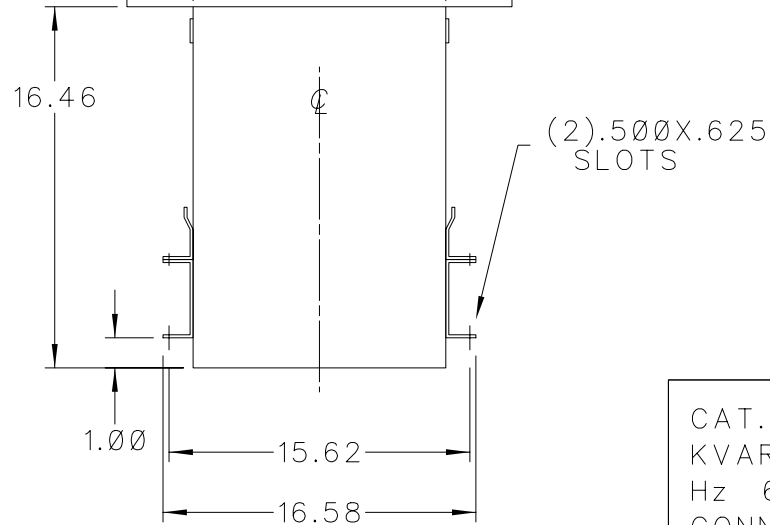
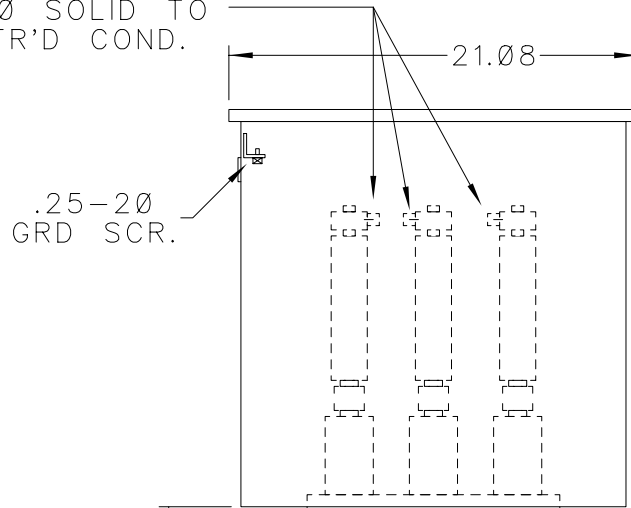
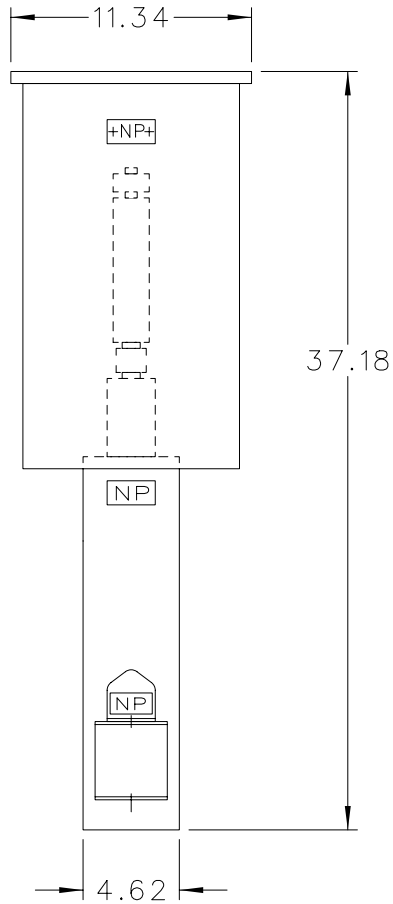


SOLDERLESS CONN.
FOR #10 SOLID TO
#4 STR'D COND.



CAT. 37F0520335 SER.NO.
KVAR 100 VOLT 2400
Hz 60 PH 3 CONN. DELTA
CONN. DIAG.

READ INST. GEH-2711

NP220452

NOTE:
ADD "037" SUFFIX TO
CATALOG NO. FOR
CSA LABELED PRODUCT.

GENERAL ELECTRIC		SIZE A
CAP. & PWR PROTECTION	LCN: FORT EDWARD NY	APPROX.WT 99 LBS
DRAWN HUMPHRIES	MAR. 1,1991	SCALE
ISSUED		

OUTLINE
37F0520335

11R91-6

SHEET 2

DISTR TO