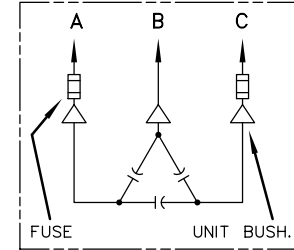
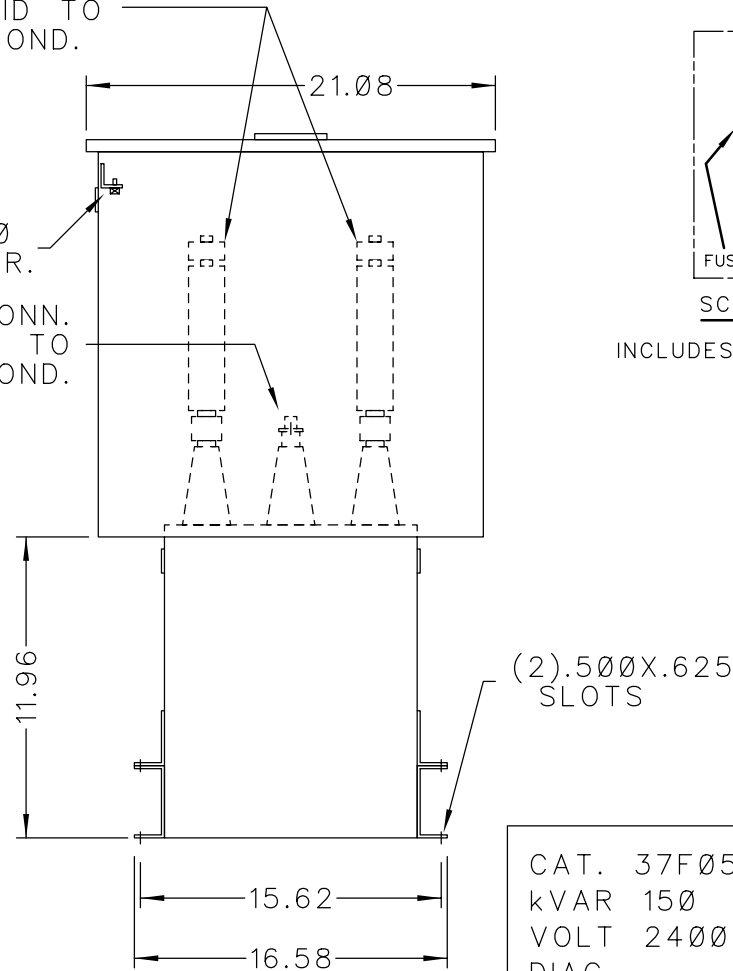


SOLDERLESS CONN.
FOR #10 SOLID TO
#4 STR'D COND.

.25-20
GRD SCR.

SOLDERLESS CONN.
FOR #10 SOLID TO
#2 STR'D COND.




SCHEMATIC DIAGRAM

INCLUDES DISCHARGE RESISTORS

CAT. 37F0520416 SER.NO.
kVAR 150 Hz 60 Ph 3
VOLT 2400 CONN. DELTA
DIAG
NP220452
GEH-2711

NOTE:
ADD "037" SUFFIX TO
CATALOG NO. FOR
CSA LABELED PRODUCT.

 CAPACITOR & POWER PROTECTION FORT EDWARD, N.Y., U.S.A.	SIZE A	APPROX.WT 81 LBS
	DRAWN E.McGINN ISSUED	FEB. 5, 1993 SCALE

OUTLINE
37F0520416