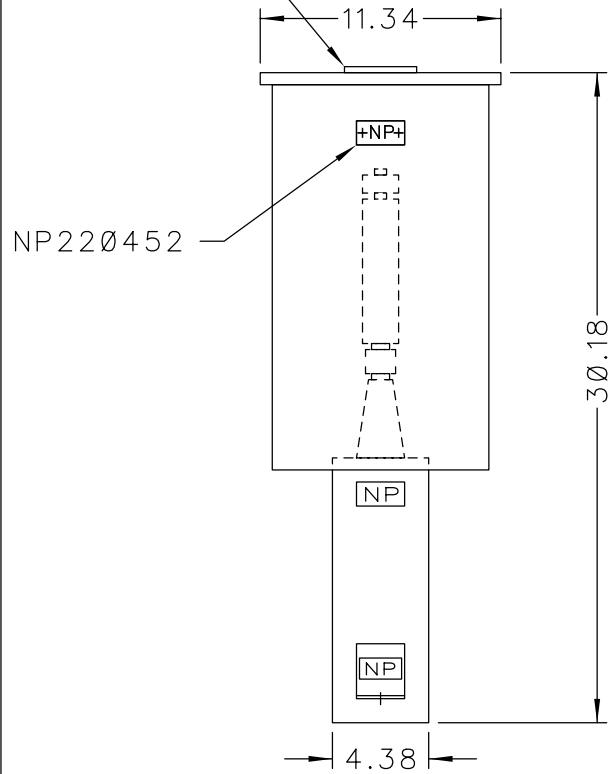
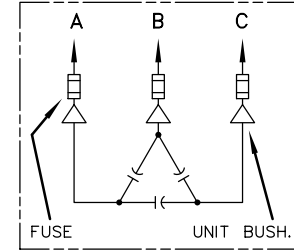
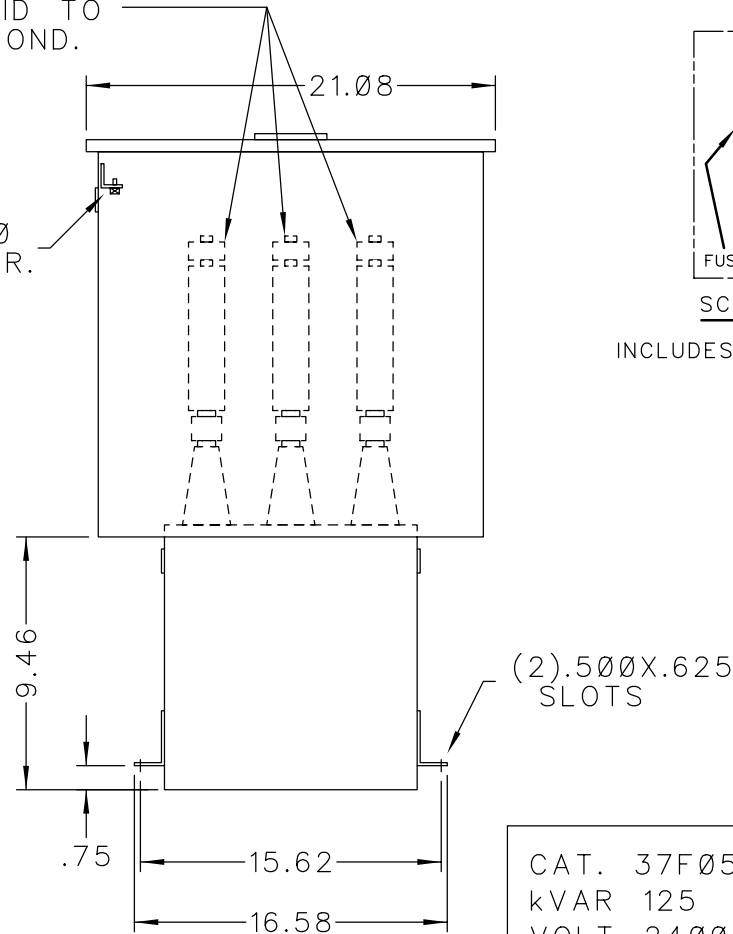


101N140
LOCATE ON
CENTER OF
COVER

SOLDERLESS CONN.
FOR #10 SOLID TO
#4 STR'D COND.



.25-20
GRD SCR.




SCHEMATIC DIAGRAM

INCLUDES DISCHARGE RESISTORS

CAT. 37F0520435 SER.NO.
kVAR 125 Hz 60 Ph 3
VOLT 2400 CONN. DELTA
DIAG
NP220452
GEH-2711

NOTE:
ADD "037" SUFFIX TO
CATALOG NO. FOR
CSA LABELED PRODUCT.

 <p>CAPACITOR & POWER PROTECTION FORT EDWARD, N.Y., U.S.A.</p>	SIZE A	APPROX.WT 76 LBS
	DRAWN E.McGINN ISSUED	MAY 17, 1994 SCALE

OUTLINE
37F0520435

SHEET 2

DISTR TO