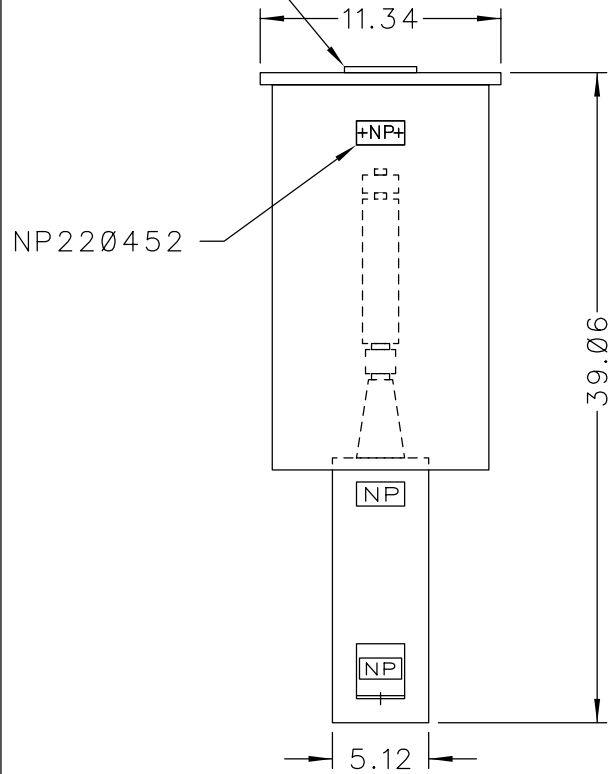
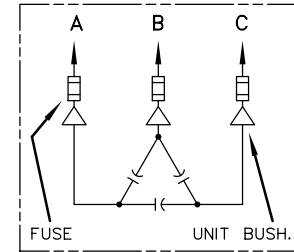
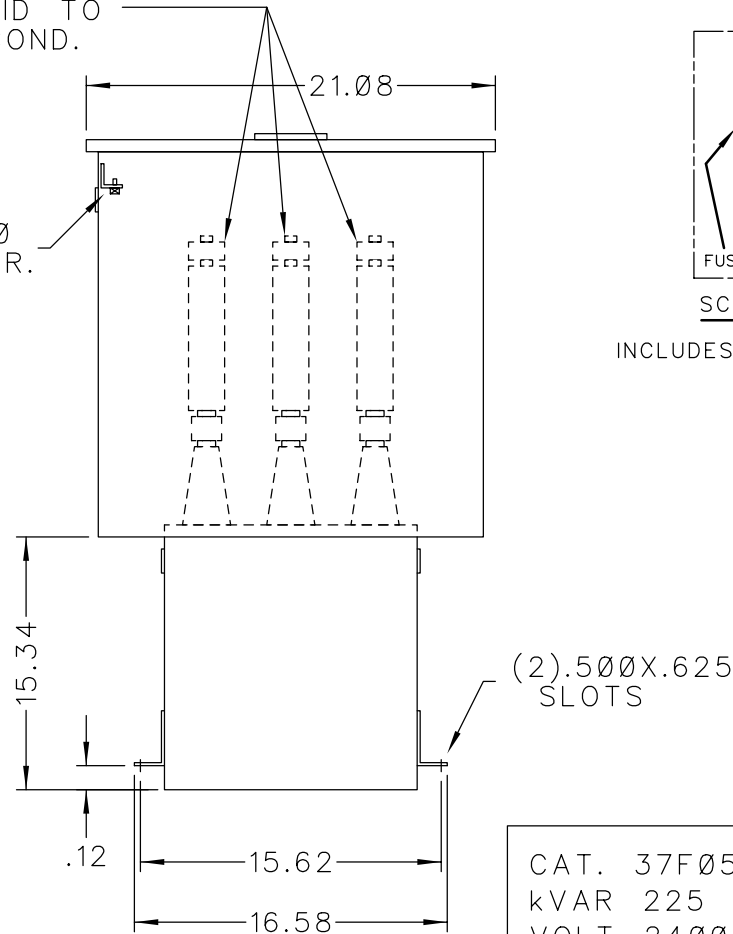


101N140  
LOCATE ON  
CENTER OF  
COVER

SOLDERLESS CONN.  
FOR #10 SOLID TO  
#4 STR'D COND.



.25-20  
GRD SCR.




SCHEMATIC DIAGRAM

INCLUDES DISCHARGE RESISTORS

CAT. 37F0520439 SER.NO.  
kVAR 225 Hz 60 Ph 3  
VOLT 2400 CONN. DELTA  
DIAG  
NP220452  
GEH-2711

NOTE:  
ADD "037" SUFFIX TO  
CATALOG NO. FOR  
CSA LABELED PRODUCT.

 <p>CAPACITOR &amp; POWER PROTECTION FORT EDWARD, N.Y., U.S.A.</p>	SIZE <b>A</b>	APPROX. WT 103 LBS
	DRAWN JCozzens ISSUED 7-30-97	JULY 29, 1997 SCALE

OUTLINE  
37F0520439

SHEET 2

DISTR TO