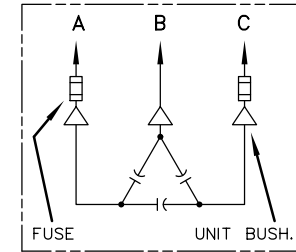
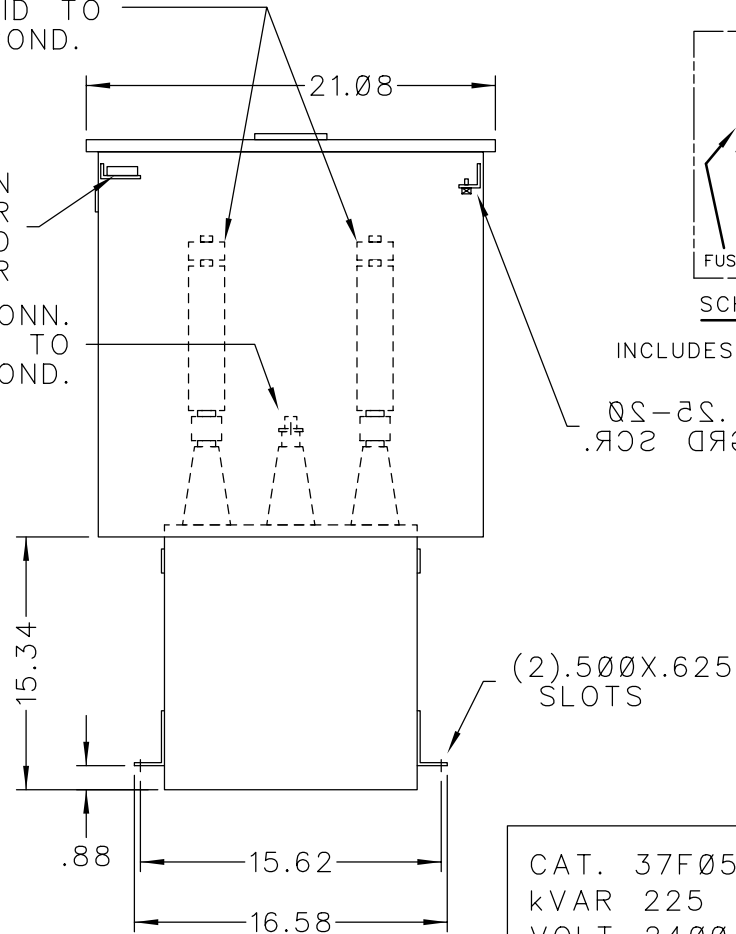


SOLDERLESS CONN.  
FOR #10 SOLID TO  
#4 STR'D COND.

CONNECTION  
FOR USER  
SUPPLIED  
120V POWER

SOLDERLESS CONN.  
FOR #10 SOLID TO  
#2 STR'D COND.




SCHEMATIC DIAGRAM

INCLUDES DISCHARGE RESISTORS

05-50.  
GRD SCR.

CAT. 37F0520519 SER.NO.  
kVAR 225 Hz 60 Ph 3  
VOLT 2400 CONN. DELTA  
DIAG  
NP220452 GEH-2711

NOTE:  
ADD "037" SUFFIX TO  
CATALOG NO. FOR  
CSA LABELED PRODUCT.

 CAPACITOR & POWER PROTECTION FORT EDWARD, N.Y., U.S.A.	SIZE <b>A</b>	APPROX. WT 103 LBS
	DRAWN E.McGINN ISSUED	SEPT. 14, 1998 SCALE

**OUTLINE**  
**37F0520519**