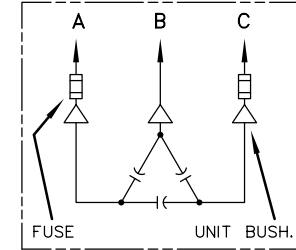
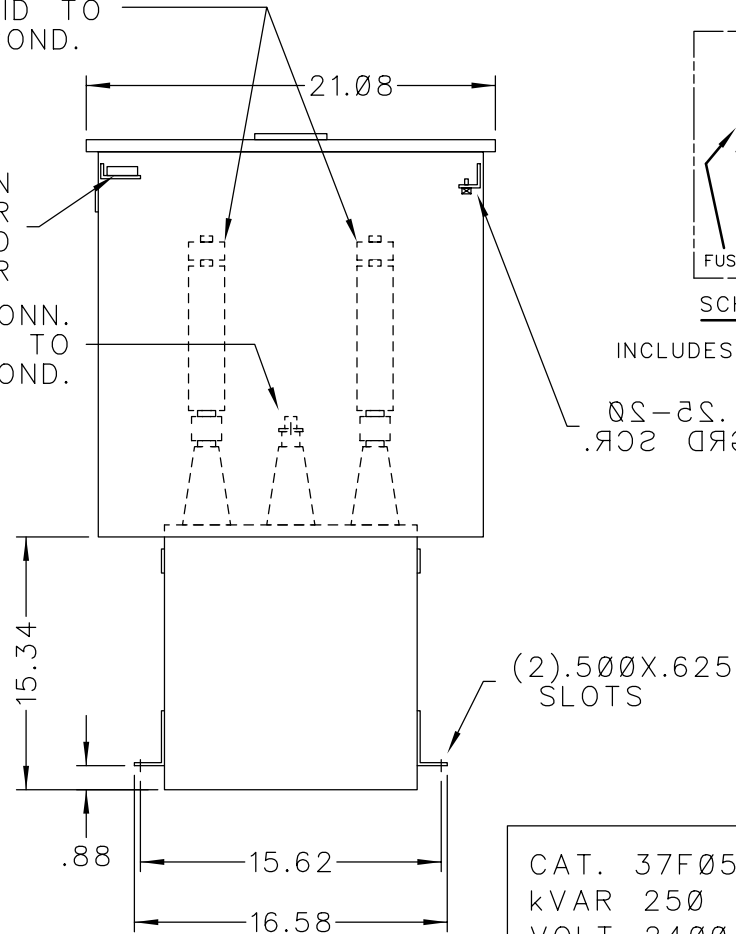


SOLDERLESS CONN.
FOR #10 SOLID TO
#4 STR'D COND.

CONNECTION
FOR USER
SUPPLIED
120V POWER

SOLDERLESS CONN.
FOR #10 SOLID TO
#2 STR'D COND.




SCHEMATIC DIAGRAM

INCLUDES DISCHARGE RESISTORS

05-50.
GRD SCR.

CAT. 37F0520520 SER.NO.
kVAR 250 Hz 60 Ph 3
VOLT 2400 CONN. DELTA
DIAG
NP220452
GEH-2711

NOTE:
ADD "037" SUFFIX TO
CATALOG NO. FOR
CSA LABELED PRODUCT.

 <p>CAPACITOR & POWER PROTECTION FORT EDWARD, N.Y., U.S.A.</p>	SIZE A	APPROX. WT 103 LBS
	SCALE	
DRAWN E.McGINN	SEPT. 14, 1998	
ISSUED		

OUTLINE
37F0520520