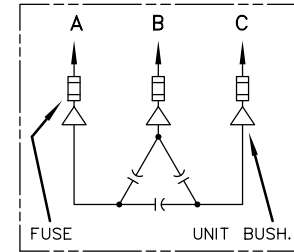
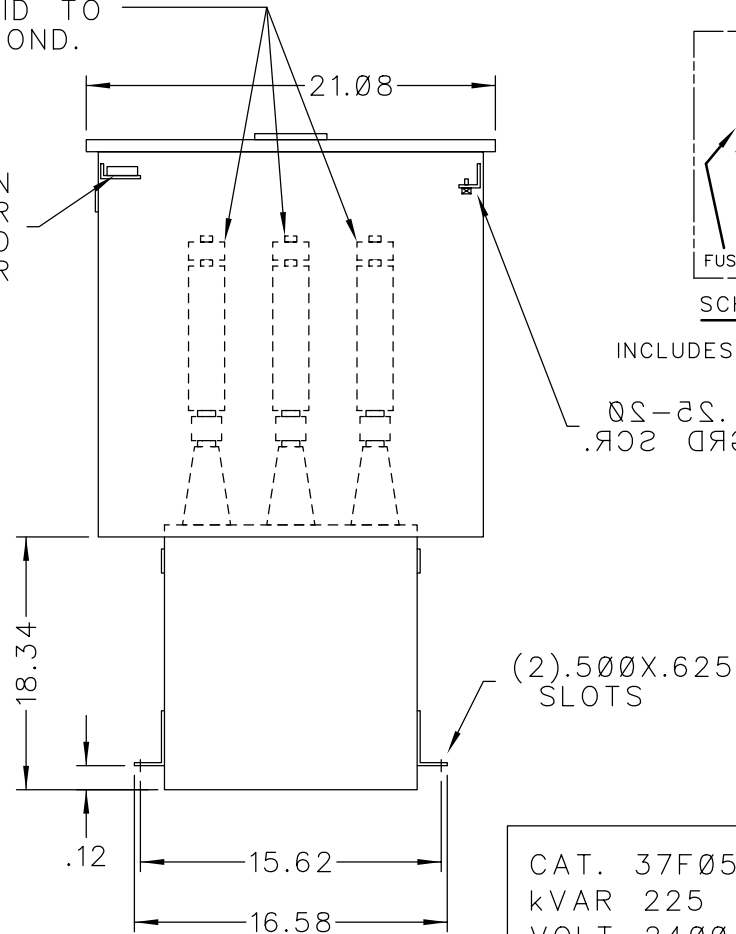


SOLDERLESS CONN.  
FOR #10 SOLID TO  
#4 STR'D COND.

CONNECTION  
FOR USER  
SUPPLIED  
120V POWER




SCHEMATIC DIAGRAM

INCLUDES DISCHARGE RESISTORS

ØS-2S.  
ØR2 ØRØ

CAT. 37F0520539 SER.NO.  
kVAR 225 Hz 60 Ph 3  
VOLT 2400 CONN. DELTA  
DIAG  
NP220452  
GEH-2711

NOTE:  
ADD "Ø37" SUFFIX TO  
CATALOG NO. FOR  
CSA LABELED PRODUCT.

|  |                  |                       |
|--|------------------|-----------------------|
| <br>CAPACITOR & POWER PROTECTION<br>FORT EDWARD, N.Y., U.S.A. | SIZE<br><b>A</b> | APPROX. WT<br>103 LBS |
|  | SCALE            |                       |
| DRAWN E.McGINN   | SEPT. 15, 1998   |                       |
| ISSUED   |                  |                       |

OUTLINE  
37F0520539

SHEET 2

DISTR TO