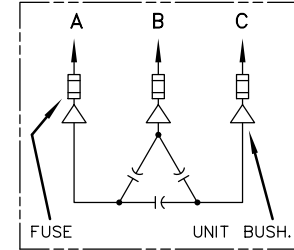
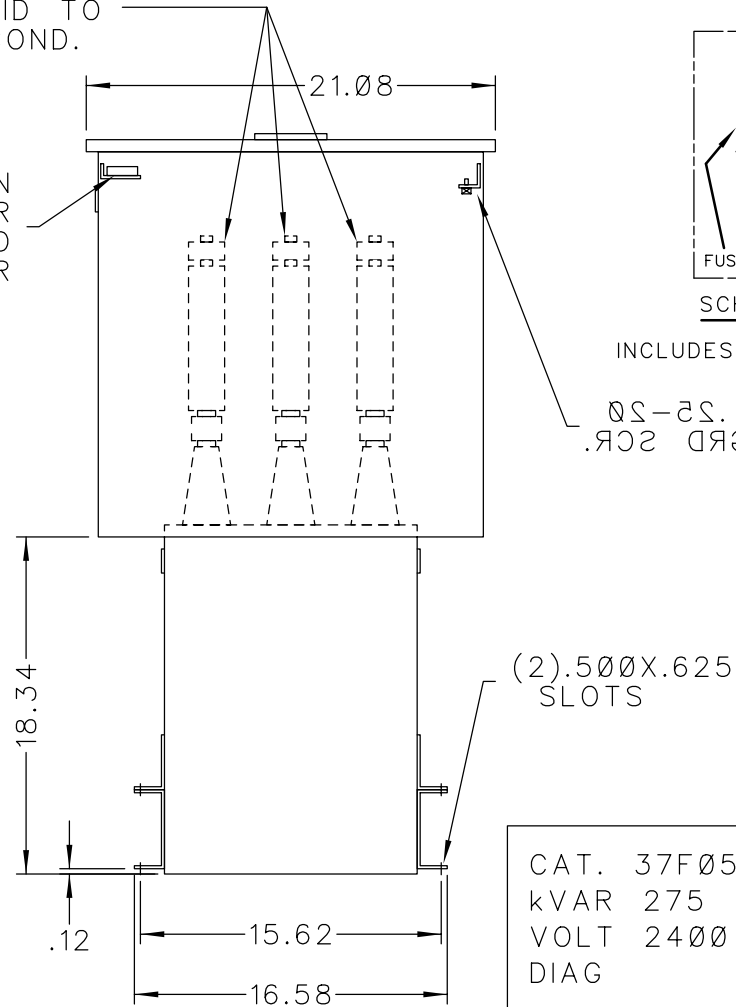


SOLDERLESS CONN.  
FOR #10 SOLID TO  
#4 STR'D COND.

CONNECTION  
FOR USER  
SUPPLIED  
120V POWER




SCHEMATIC DIAGRAM

INCLUDES DISCHARGE RESISTORS

0.5-50.  
GRD SCR.

CAT. 37F0520541 SER.NO.  
kVAR 275 Hz 60 Ph 3  
VOLT 2400 CONN. DELTA  
DIAG  
NP220452  
GEH-2711

NOTE:  
ADD "037" SUFFIX TO  
CATALOG NO. FOR  
CSA LABELED PRODUCT.

|  |                          |                         |
|--|--------------------------|-------------------------|
| <br>CAPACITOR & POWER PROTECTION<br>FORT EDWARD, N.Y., U.S.A. | SIZE<br><b>A</b>         | APPROX.WT<br>114 LBS    |
|  | DRAWN E.McGINN<br>ISSUED | SEPT. 15, 1998<br>SCALE |

OUTLINE  
37F0520541