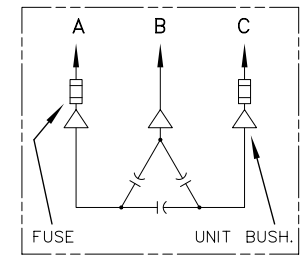
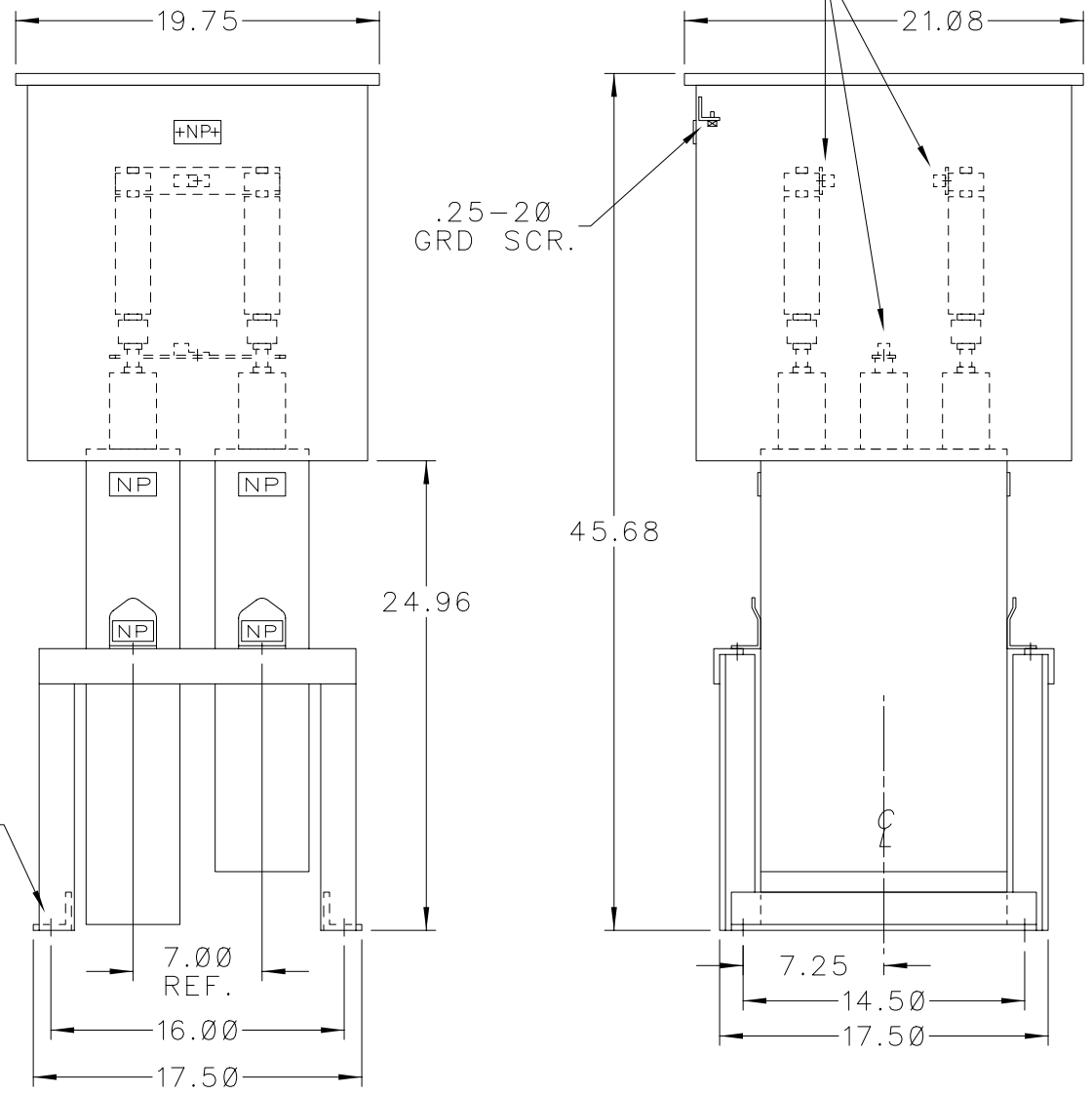


TERMINAL FOR
#14 TO 1/0 CABLE




SCHEMATIC DIAGRAM

CAT. 37F0521319	SER.NO.
KVAR 375	VOLT 2400
Hz 60	PH 3
CONN. DELTA	
CONN. DIAG.	
READ INST. GEH-2711	

NP220452

NOTE:
ADD "037" SUFFIX TO
CATALOG NO. FOR
CSA LABELED PRODUCT.

GENERAL  ELECTRIC		SIZE A
PWR DEL'Y COMPONENTS OPER. LCTN: HUDSON FALLS NY		APPROX.WT 233 LBS
DRAWN <i>W. DeGroof</i>	MARCH 16, 1987	SCALE
ISSUED		13D87-04

OUTLINE
37F0521319

13D87-04 SHEET 2

DISTR TO