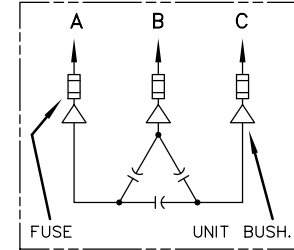
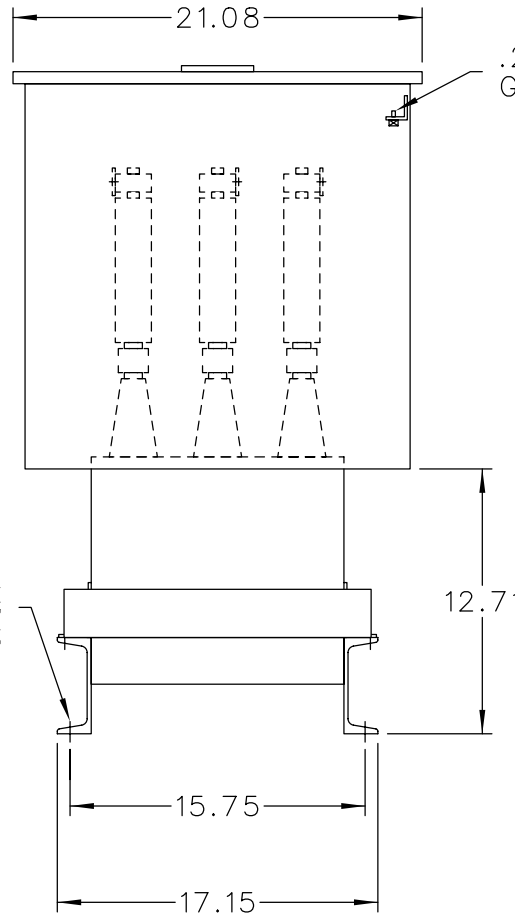
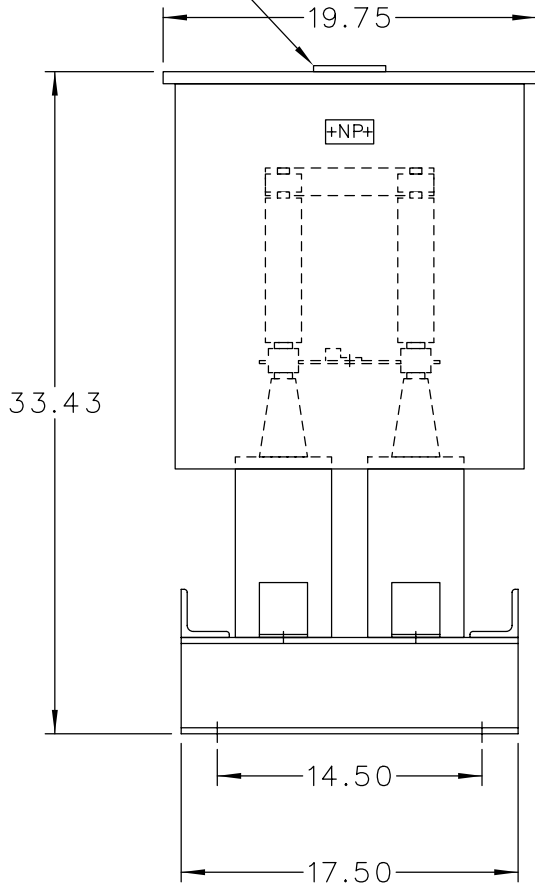


101N14Ø
LOCATE ON
CENTER OF
COVER



SCHEMATIC DIAGRAM


INCLUDES DISCHARGE RESISTORS

CAT. 37F0521439 SER.NO.
KVAR 375 VOLT 2400
Hz 60 PH 3 CONN. DELTA
CONN. DIAG.

READ INST. GEH-2711

NP220452

NOTE:
ADD "Ø37" SUFFIX TO
CATALOG NO. FOR
CSA LABELED PRODUCT.

 CAPACITOR & POWER PROTECTION FORT EDWARD, N.Y., U.S.A.	SIZE A	APPROX. WT 165 LBS
	DRAWN E.McGINN ISSUED	MAY 17, 1994 SCALE

OUTLINE
37F0521439

SHEET 2

DISTR TO