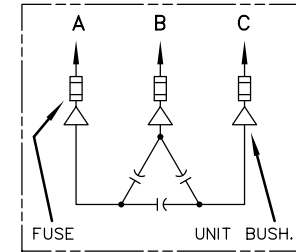
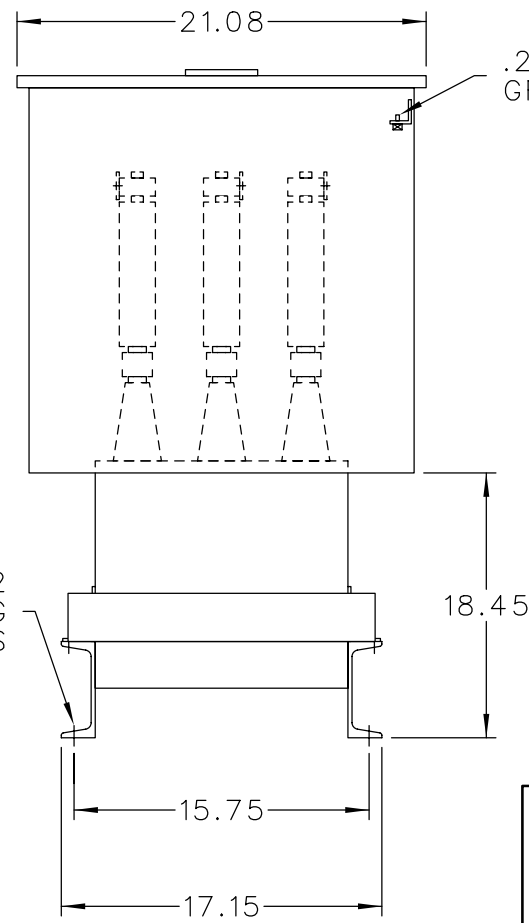


TERMINAL FOR #6
TO 250 MCM CABLE



SCHEMATIC DIAGRAM

INCLUDES DISCHARGE RESISTORS

CAT. 37F0521443 SER.NO.
KVAR 500 VOLT 2400
Hz 60 PH 3 CONN. DELTA
CONN. DIAG.

READ INST. GEH-2711

NP220452

NOTE:
ADD "037" SUFFIX TO
CATALOG NO. FOR
CSA LABELED PRODUCT.

	CAPACITOR & POWER PROTECTION FORT EDWARD, N.Y., U.S.A.	
	DRAWN JCozzens	JULY 29, 1997
ISSUED		SCALE

SIZE A	APPROX. WT 192 LBS
SCALE	

OUTLINE 37F0521443
SHEET 2

DISTR TO