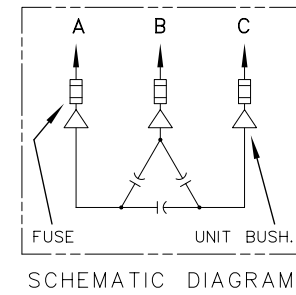
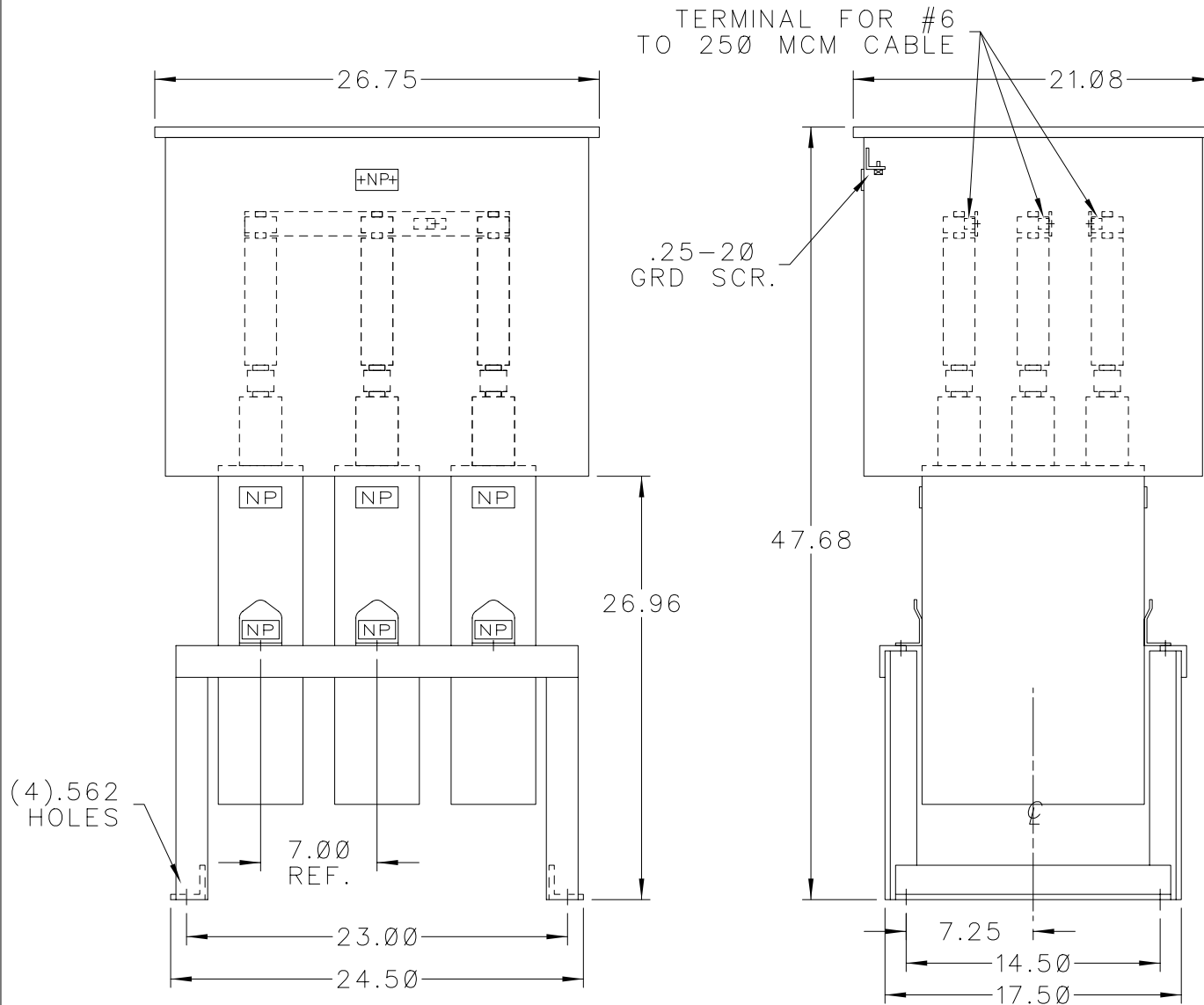


SIZE <b>A</b>	DWG NO. 37F0522335	SH 2	REV 1
REV	NEW 6/26/86	DATE	
1	HODGES/UPDATE	13R-89	48




CAT. 37F0522335 SER.NO.  
 KVAR 425 VOLT 2400  
 Hz 60 PH 3 CONN. DELTA  
 CONN. DIAG.

READ INST. GEH-2711

NP220452

NOTE:  
 ADD "037" SUFFIX TO  
 CATALOG NO. FOR  
 CSA LABELED PRODUCT.

GENERAL  ELECTRIC		SIZE <b>A</b>
CAP. & PWR PROTECTION OPER LCTN: FORT EDWARD NY		APPROX.WT 302 LBS
DRAWN	HUMPHRIES JUNE 23, 1986	SCALE
ISSUED		13R-86-70

OUTLINE  
 37F0522335

SHEET 2

DISTR TO