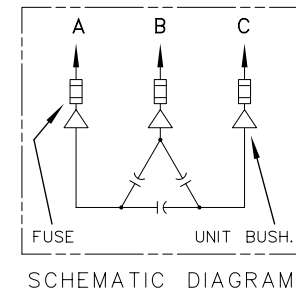
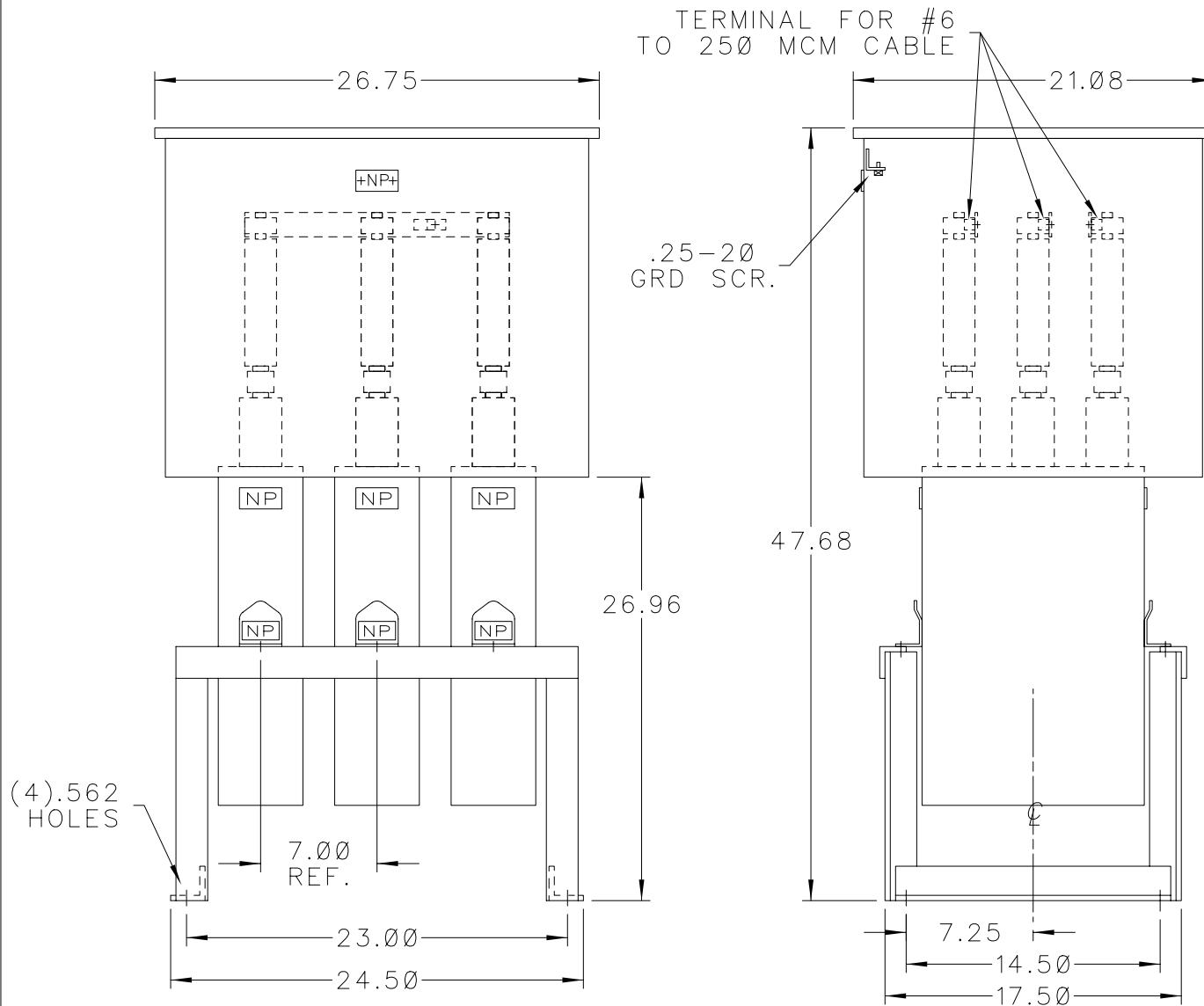


SIZE A	DWG NO. 37F0522336	SH 2	REV 1
REV	NEW 3/14/88	DATE	
1	HODGES/CHG.	WT. ^{13R-89} / ₄₈	




CAT. 37F0522336 SER.NO.
 KVAR 450 VOLT 2400
 Hz 60 PH 3 CONN. DELTA
 CONN. DIAG.

READ INST. GEH-2711

NP220452

NOTE:
 ADD "037" SUFFIX TO
 CATALOG NO. FOR
 CSA LABELED PRODUCT.

GENERAL  ELECTRIC		SIZE A
CAP. & PWR PROTECTION OPER LCTN: FORT EDWARD NY		APPROX.WT 313 LBS
DRAWN HODGES	FEB. 11, 1988	SCALE
ISSUED		13R-88-28

OUTLINE
 37F0522336

SHEET 2

DISTR TO