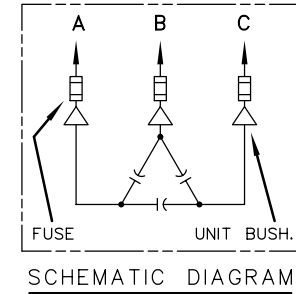
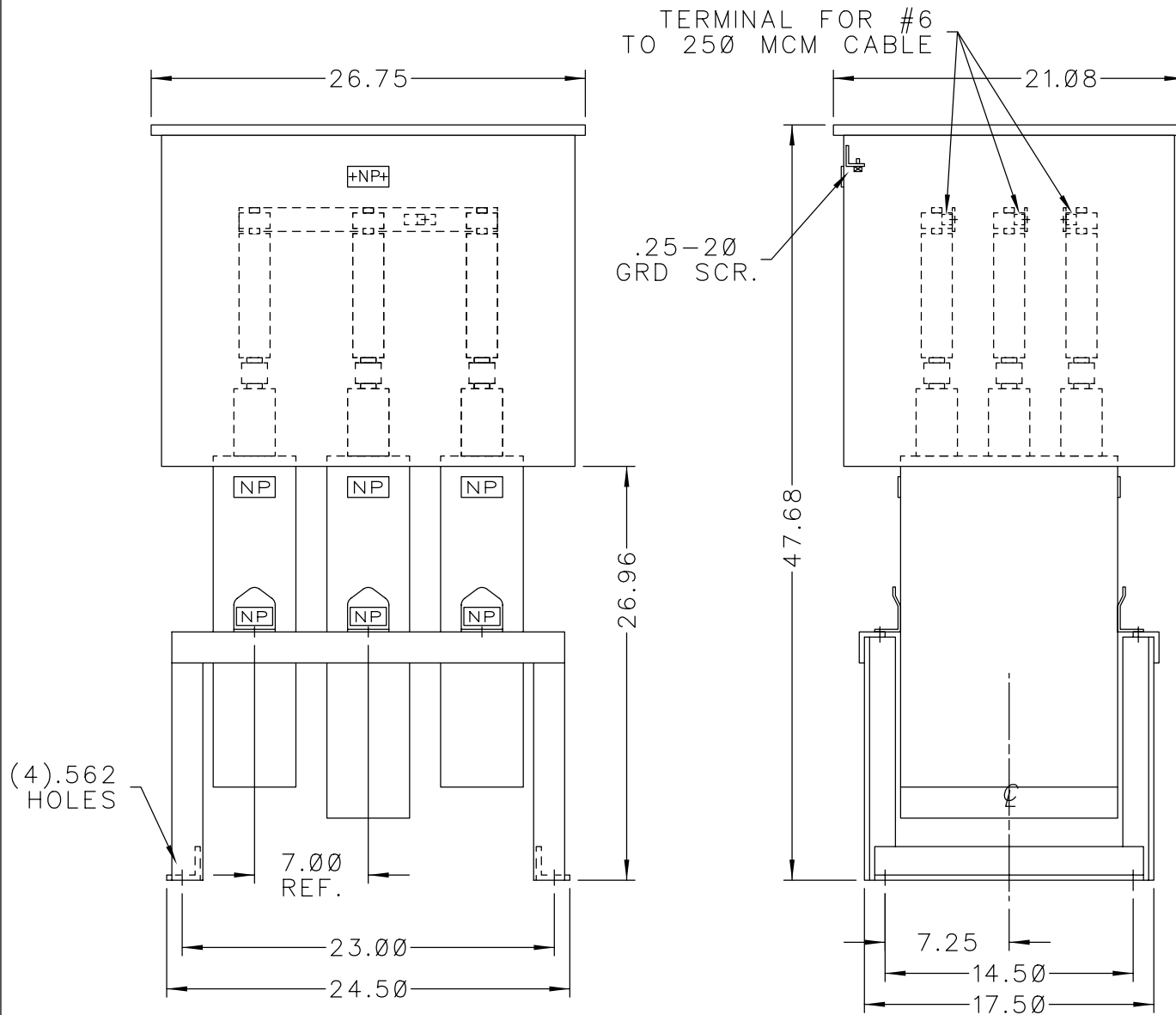


SIZE A	DWG NO. 37F0522337	SH 2	REV
REV		DATE	



CAT. 37F0522337 SER.NO.
 KVAR 475 VOLT 2400
 Hz 60 PH 3 CONN. DELTA
 CONN. DIAG.

READ INST. GEH-2711

NP220452

NOTE:
 ADD "037" SUFFIX TO
 CATALOG NO. FOR
 CSA LABELED PRODUCT.

 CAPACITOR & POWER PROTECTION FORT EDWARD, N.Y., U.S.A.	SIZE A
	SCALE
DRAWN E.McGINN	APR. 19, 1993
ISSUED	

OUTLINE
 37F0522337

SHEET 2

DISTR TO