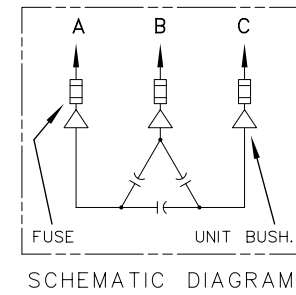
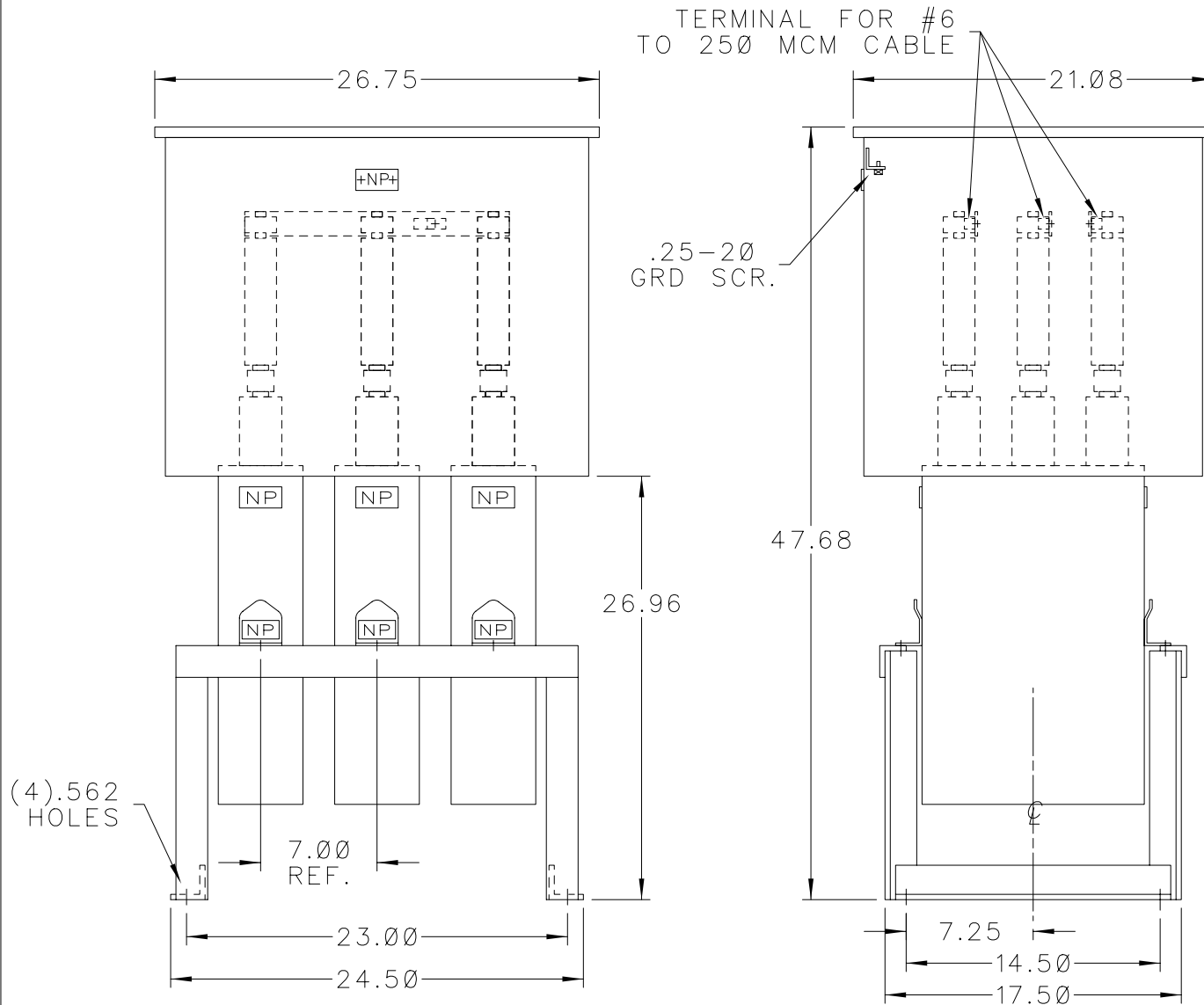


SIZE A	DWG NO. 37F0522339	SH 2	REV
REV	NEW 9/29/88	DATE	
1	HODGES/CHG. WT. ^{13R-89} / ₄₈		



CAT. 37F0522339 SER.NO.
 KVAR 525 VOLT 2400
 Hz 60 PH 3 CONN. DELTA
 CONN. DIAG.

READ INST. GEH-2711

NP220452

NOTE:
 ADD "037" SUFFIX TO
 CATALOG NO. FOR
 CSA LABELED PRODUCT.

GENERAL ELECTRIC		SIZE A
CAP. & PWR PROTECTION OPER LCTN: FORT EDWARD NY		APPROX. WT 337 LBS
DRAWN HUMPHRIES	SEPT. 27, 1988	SCALE
ISSUED		13D-88

OUTLINE
 37F0522339

SHEET 2

DISTR TO