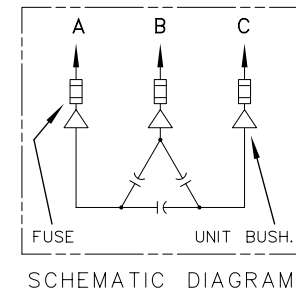
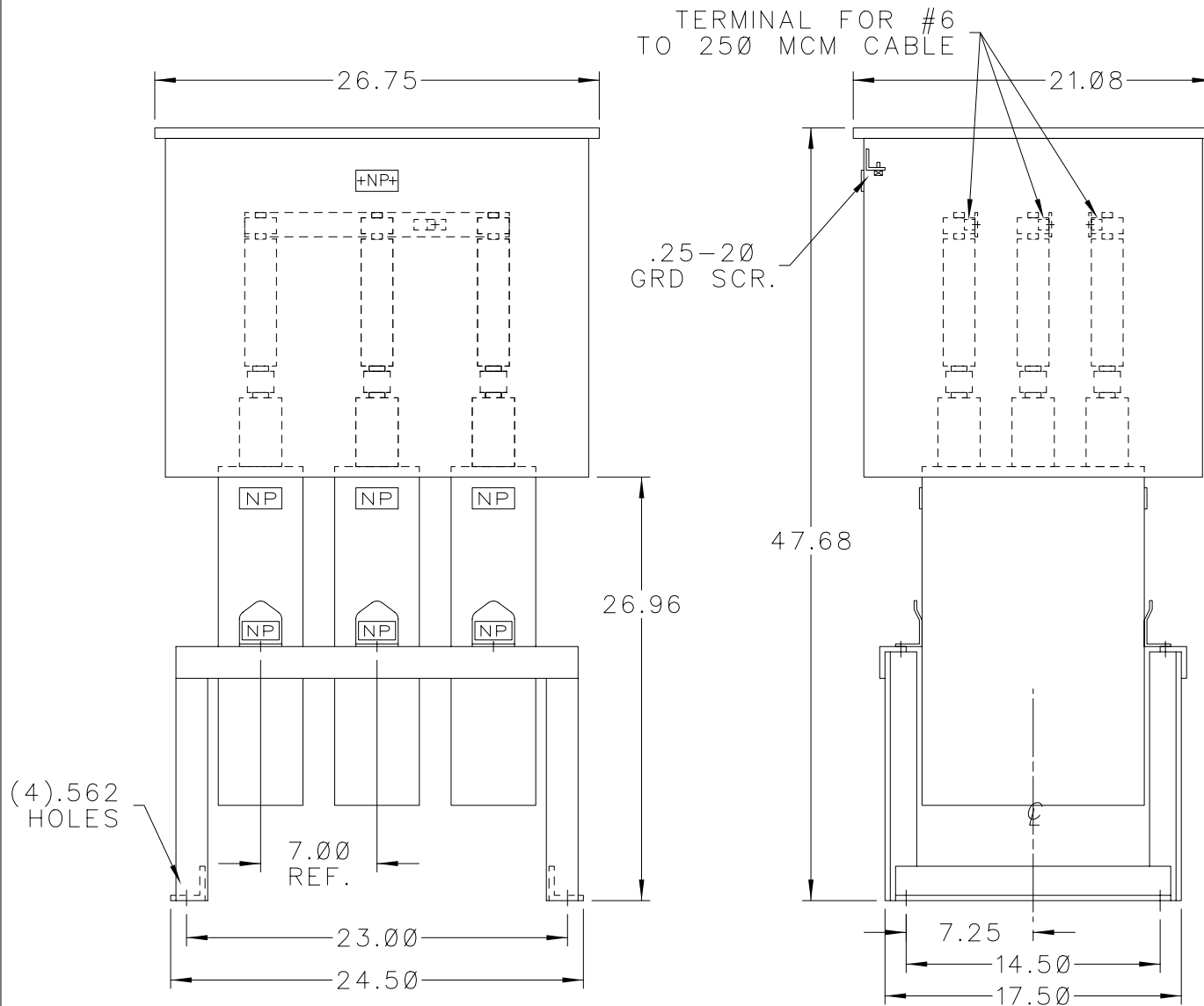


SIZE <b>A</b>	DWG NO. 37F0522341	SH 2	REV
REV	NEW 6/30/86	DATE	
1	HODGES/RETR. UPDATE	13R-89 48	



CAT. 37F0522341 SER.NO.  
 KVAR 600 VOLT 2400  
 Hz 60 PH 3 CONN. DELTA  
 CONN. DIAG.

READ INST. GEH-2711

NP220452

NOTE:  
 ADD "037" SUFFIX TO  
 CATALOG NO. FOR  
 CSA LABELED PRODUCT.

GENERAL ELECTRIC		SIZE <b>A</b>
CAP. & PWR PROTECTION OPER LCTN: FORT EDWARD NY		APPROX.WT 367 LBS
DRAWN HUMPHRIES	JUNE 25, 1986	SCALE
ISSUED		13R-86-70

OUTLINE  
 37F0522341

SHEET 2

DISTR TO