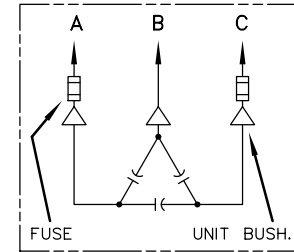
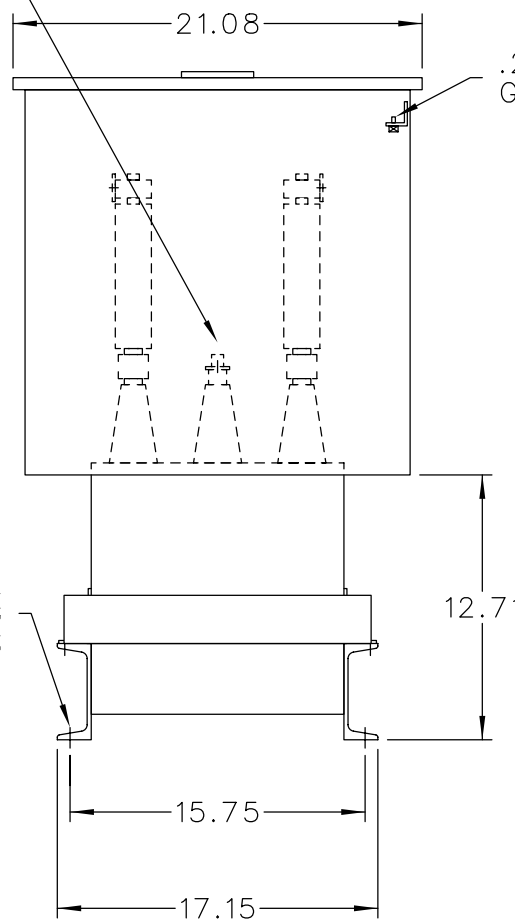
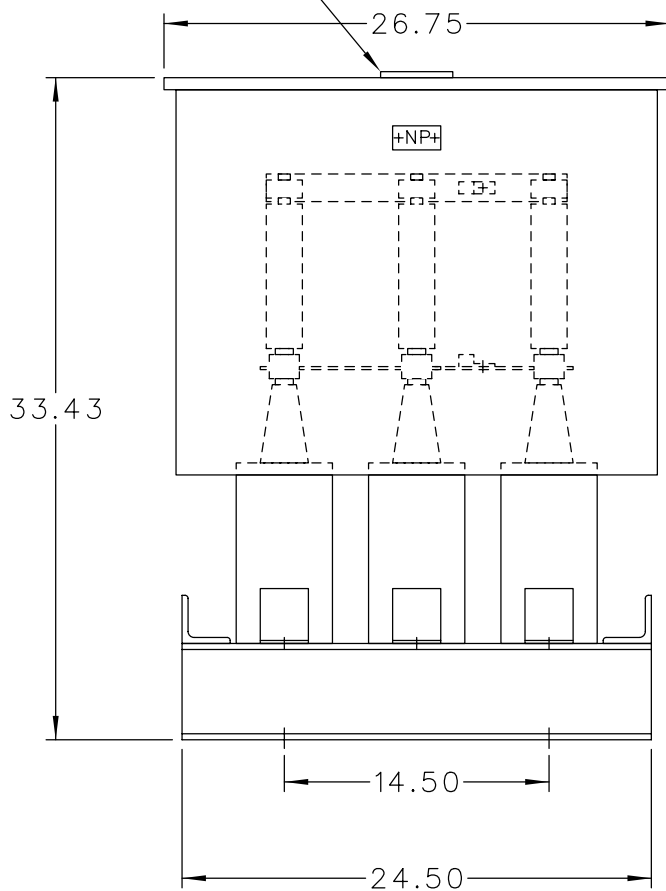


101N140
LOCATE ON
CENTER OF
COVER

TERMINAL FOR #6
TO 250 MCM CABLE



SCHEMATIC DIAGRAM

INCLUDES DISCHARGE RESISTORS

CAT. 37F0522416 SER.NO.
KVAR 450 VOLT 2400
Hz 60 PH 3 CONN. DELTA
CONN. DIAG.

READ INST. GEH-2711

NP220452

NOTE:
ADD "037" SUFFIX TO
CATALOG NO. FOR
CSA LABELED PRODUCT.

| | | |
|--------|---|---------------|
| | CAPACITOR & POWER PROTECTION FORT EDWARD, N.Y., U.S.A. | |
| | DRAWN E.McGINN | FEB. 12, 1993 |
| ISSUED | SCALE | |

| | |
|------------------|----------------------|
| SIZE A | APPROX.WT 221 LBS |
| SCALE | |

| |
|------------------------------|
| OUTLINE 37F0522416 |
| SHEET 2 |

DISTR TO