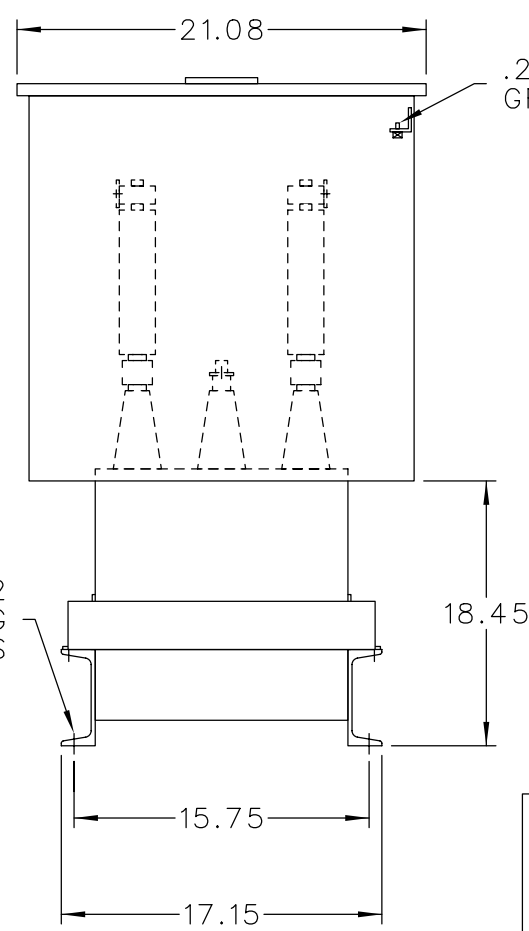
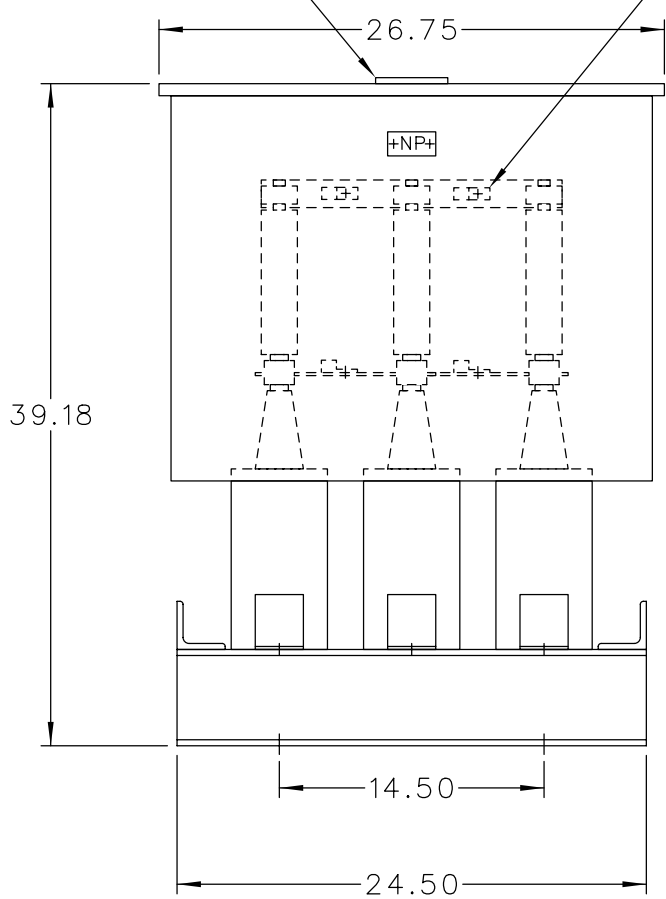
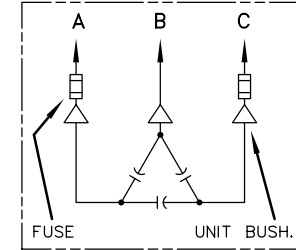


101N140  
LOCATE ON  
CENTER OF  
COVER

TWO TERMINALS FOR #6 TO  
250 MCM CABLE PER PHASE



.25-20  
GRD SCR.



SCHEMATIC DIAGRAM

INCLUDES DISCHARGE RESISTORS

CAT. 37F0522426 SER.NO.  
KVAR 700 VOLT 2400  
Hz 60 PH 3 CONN. DELTA  
CONN. DIAG.

READ INST. GEH-2711

NP220452

NOTE:  
ADD "037" SUFFIX TO  
CATALOG NO. FOR  
CSA LABELED PRODUCT.

<p>CAPACITOR &amp; POWER PROTECTION FORT EDWARD, N.Y., U.S.A.</p>	<p>SIZE <b>A</b></p>	<p>APPROX. WT 298 LBS</p>
	<p>DRAWN JCozzens JULY 29, 1997</p>	
<p>ISSUED</p>		

OUTLINE  
37F0522426