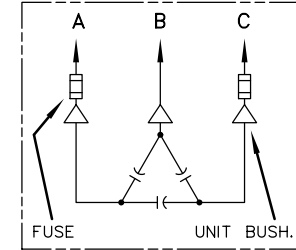
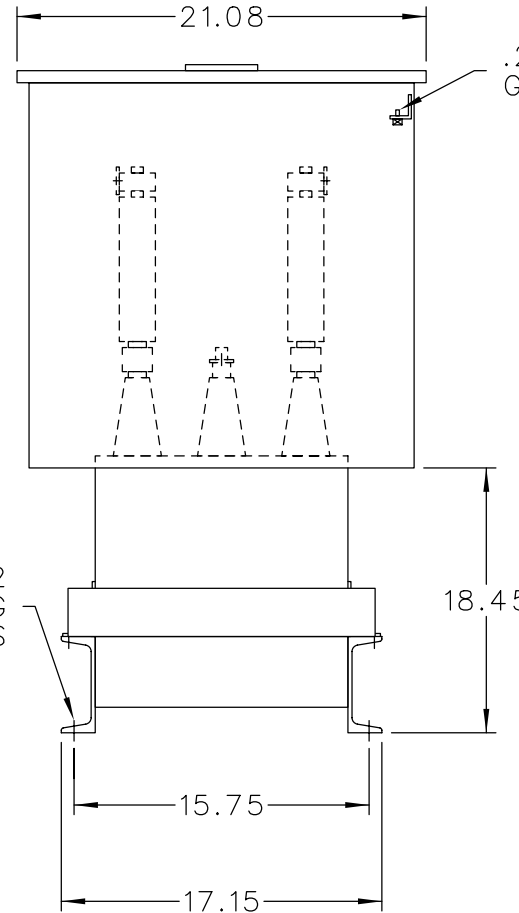
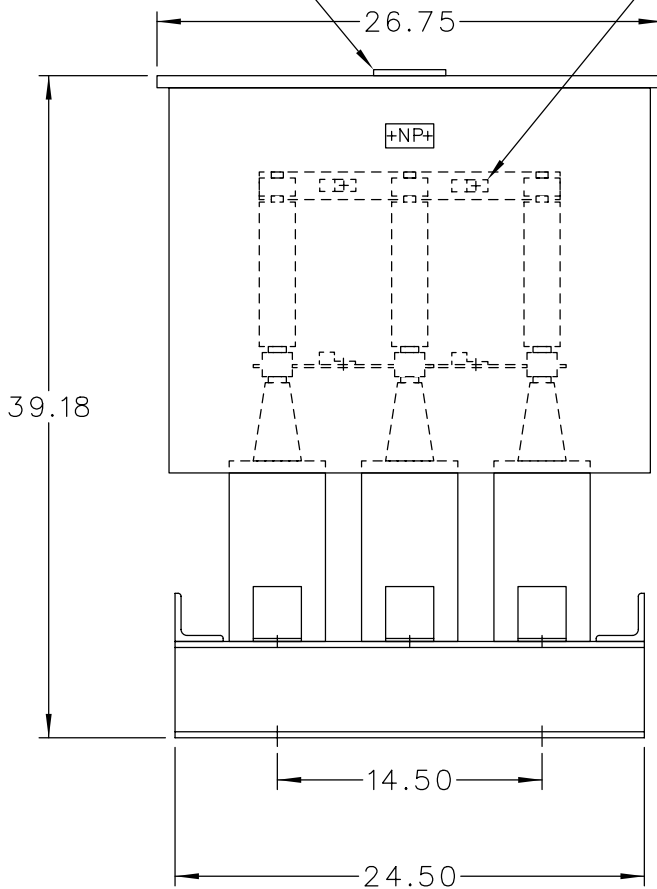


101N140
LOCATE ON
CENTER OF
COVER

TWO TERMINALS FOR #6 TO
250 MCM CABLE PER PHASE



SCHEMATIC DIAGRAM


INCLUDES DISCHARGE RESISTORS

CAT. 37F0522427 SER.NO.
KVAR 725 VOLT 2400
Hz 60 PH 3 CONN. DELTA
CONN. DIAG.

READ INST. GEH-2711

NP220452

NOTE:
ADD "037" SUFFIX TO
CATALOG NO. FOR
CSA LABELED PRODUCT.

 CAPACITOR & POWER PROTECTION FORT EDWARD, N.Y., U.S.A.	SIZE A	APPROX. WT 298 LBS
	SCALE	
DRAWN JCozzens	JULY 29, 1997	
ISSUED		

OUTLINE
37F0522427

SHEET 2

DISTR TO