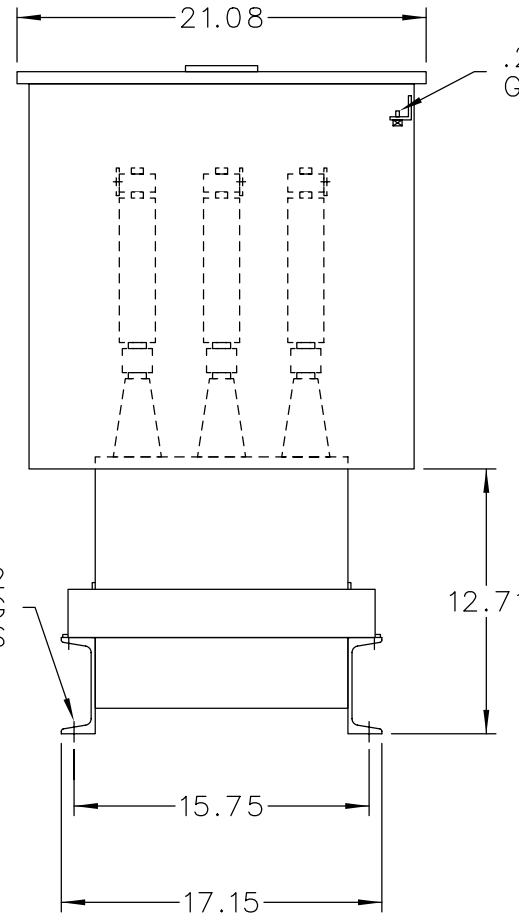
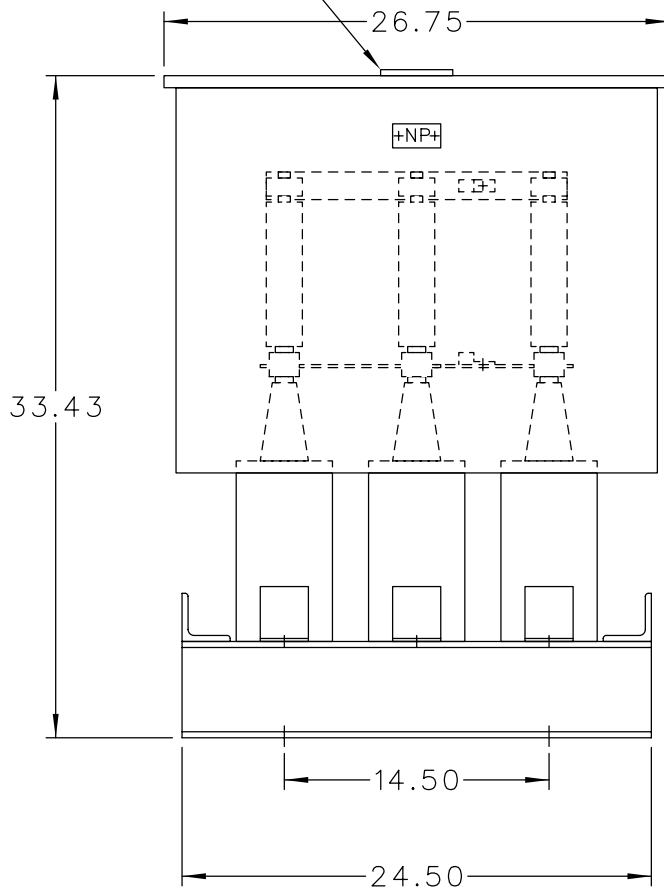
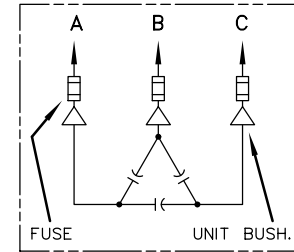


101N140  
LOCATE ON  
CENTER OF  
COVER



.25-20  
GRD SCR.



SCHEMATIC DIAGRAM


INCLUDES DISCHARGE RESISTORS

CAT. 37F0522440 SER.NO.  
KVAR 550 VOLT 2400  
Hz 60 PH 3 CONN. DELTA  
CONN. DIAG.

READ INST. GEH-2711

NP220452

NOTE:  
ADD "037" SUFFIX TO  
CATALOG NO. FOR  
CSA LABELED PRODUCT.

|   |                       |                     |
|---|-----------------------|---------------------|
|  <p>CAPACITOR &amp; POWER PROTECTION<br/>FORT EDWARD, N.Y., U.S.A.</p> | <p>DRAWN E.McGINN</p> | <p>MAY 17, 1994</p> |
|   | <p>ISSUED</p>         |                     |

|                          |                               |
|--------------------------|-------------------------------|
| <p>SIZE<br/><b>A</b></p> | <p>APPROX. WT<br/>242 LBS</p> |
| <p>SCALE</p>             |                               |

|                               |                |
|-------------------------------|----------------|
| <p>OUTLINE<br/>37F0522440</p> | <p>SHEET 2</p> |
|-------------------------------|----------------|

DISTR TO