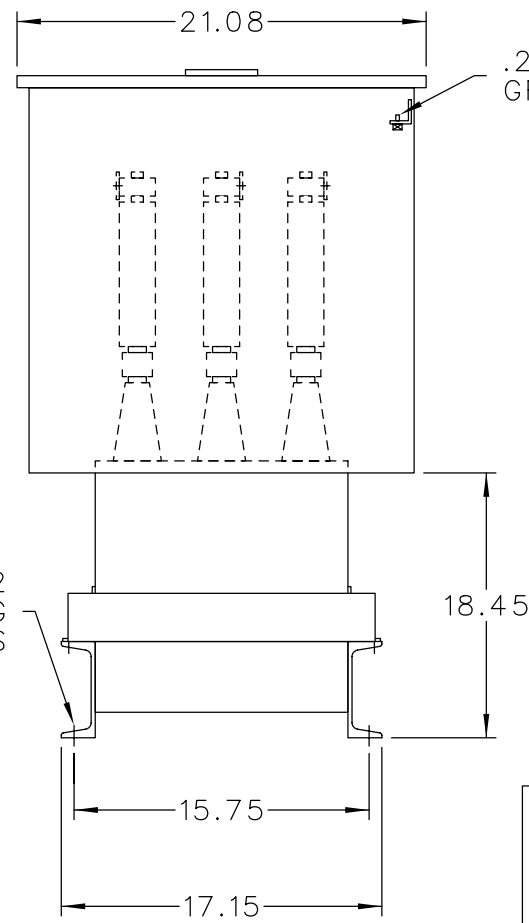
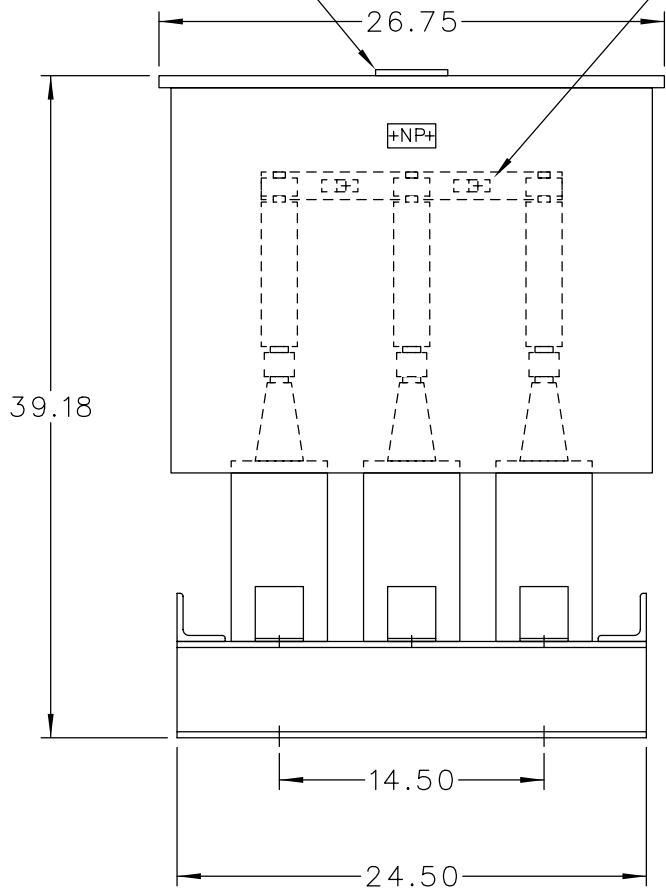
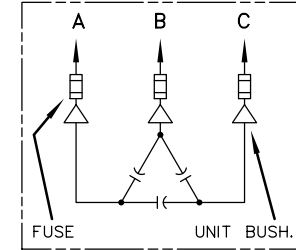


101N140  
LOCATE ON  
CENTER OF  
COVER

TWO TERMINALS FOR #6 TO  
250 MCM CABLES PER PHASE



.25-20  
GRD SCR.



SCHEMATIC DIAGRAM


INCLUDES DISCHARGE RESISTORS

CAT. 37F0522451 SER.NO.  
KVAR 825 VOLT 2400  
Hz 60 PH 3 CONN. DELTA  
CONN. DIAG.

READ INST. GEH-2711

NP220452

NOTE:  
ADD "037" SUFFIX TO  
CATALOG NO. FOR  
CSA LABELED PRODUCT.

 CAPACITOR & POWER PROTECTION FORT EDWARD, N.Y., U.S.A.	SIZE <b>A</b>	APPROX. WT 331 LBS
	DRAWN JCozzens ISSUED	
JULY 29, 1997		SHEET 2

OUTLINE  
37F0522451

DISTR TO