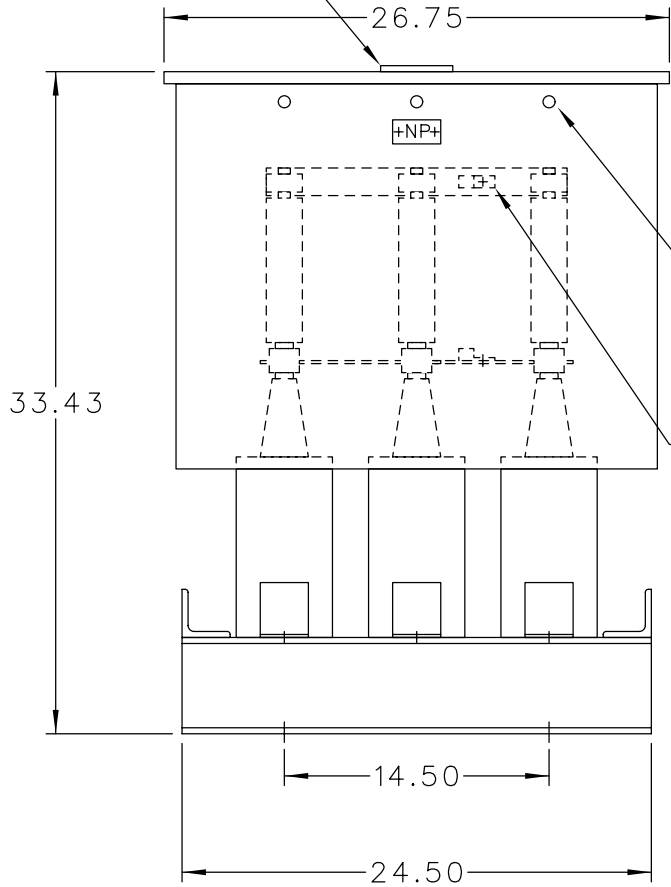


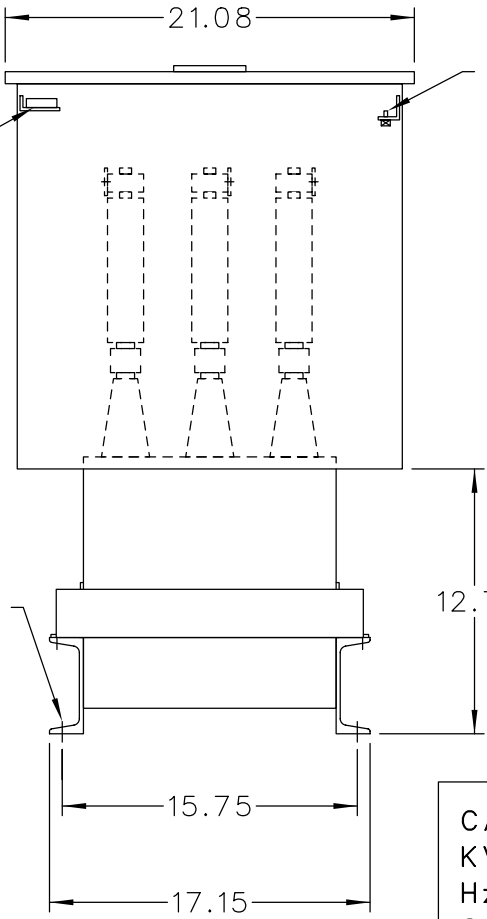
101N140
LOCATE ON
CENTER OF
COVER



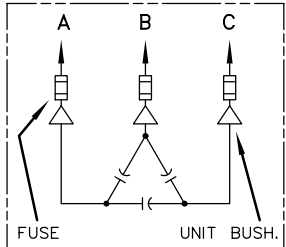
CONNECTION
FOR USER
SUPPLIED
120V POWER

BLOWN FUSE
INDICATING
LIGHTS

TERMINAL FOR
#6 TO 250
MCM CABLE



.25-20
GRD SCR.



SCHEMATIC DIAGRAM


INCLUDES DISCHARGE RESISTORS

CAT. 37F0522541 SER.NO.
KVAR 600 VOLT 2400
Hz 60 PH 3 CONN. DELTA
CONN. DIAG.

READ INST. GEH-2711

NP220452

NOTE:
ADD "037" SUFFIX TO
CATALOG NO. FOR
CSA LABELED PRODUCT.

 <p>CAPACITOR & POWER PROTECTION FORT EDWARD, N.Y., U.S.A.</p>	SIZE A	APPROX. WT 254 LBS
	SCALE	
DRAWN E. McGINN	OCT. 21, 1998	
ISSUED		

OUTLINE
37F0522541

SHEET 2

DISTR TO