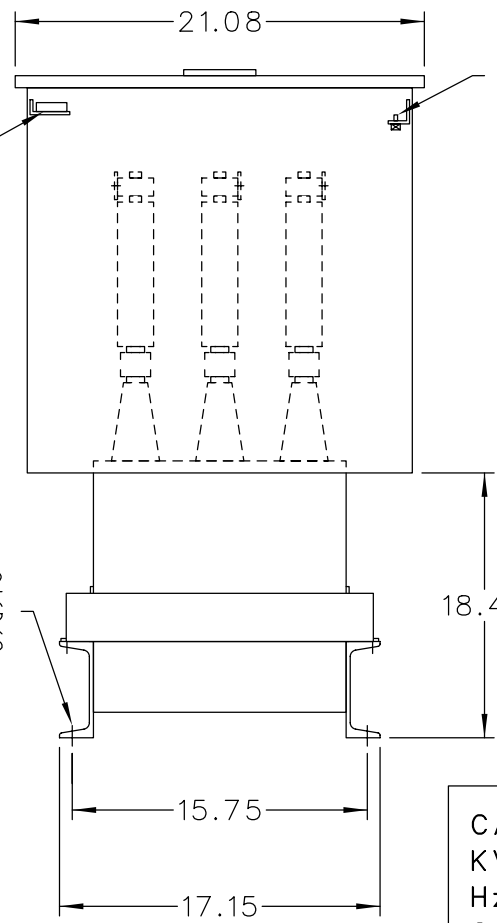
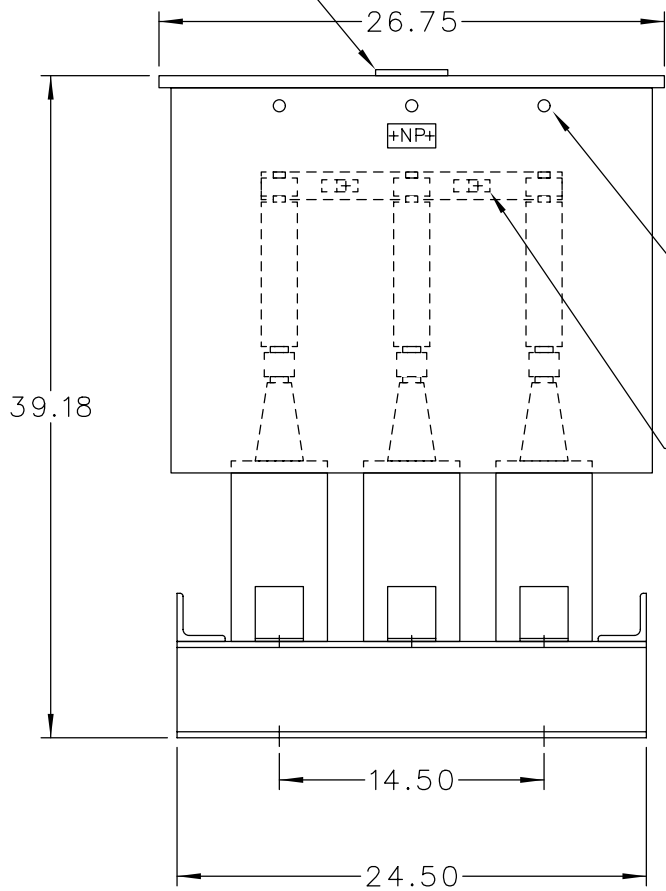
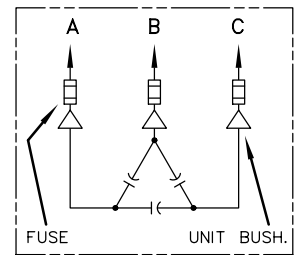


101N140
LOCATE ON
CENTER OF
COVER



.25-20
GRD SCR.



SCHEMATIC DIAGRAM

INCLUDES DISCHARGE RESISTORS

CAT. 37F0522544 SER.NO.
KVAR 650 VOLT 2400
Hz 60 PH 3 CONN. DELTA
CONN. DIAG.

READ INST. GEH-2711

NP220452

NOTE:
ADD "037" SUFFIX TO
CATALOG NO. FOR
CSA LABELED PRODUCT.

<p>CAPACITOR & POWER PROTECTION FORT EDWARD, N.Y., U.S.A.</p>	<p>DRAWN E.McGINN</p>	<p>OCT. 21, 1998</p>
	<p>ISSUED</p>	<p>SCALE</p>

SIZE
A

OUTLINE
37F0522544

SHEET 2

DISTR TO