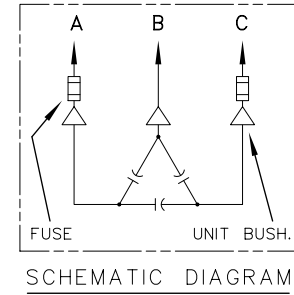
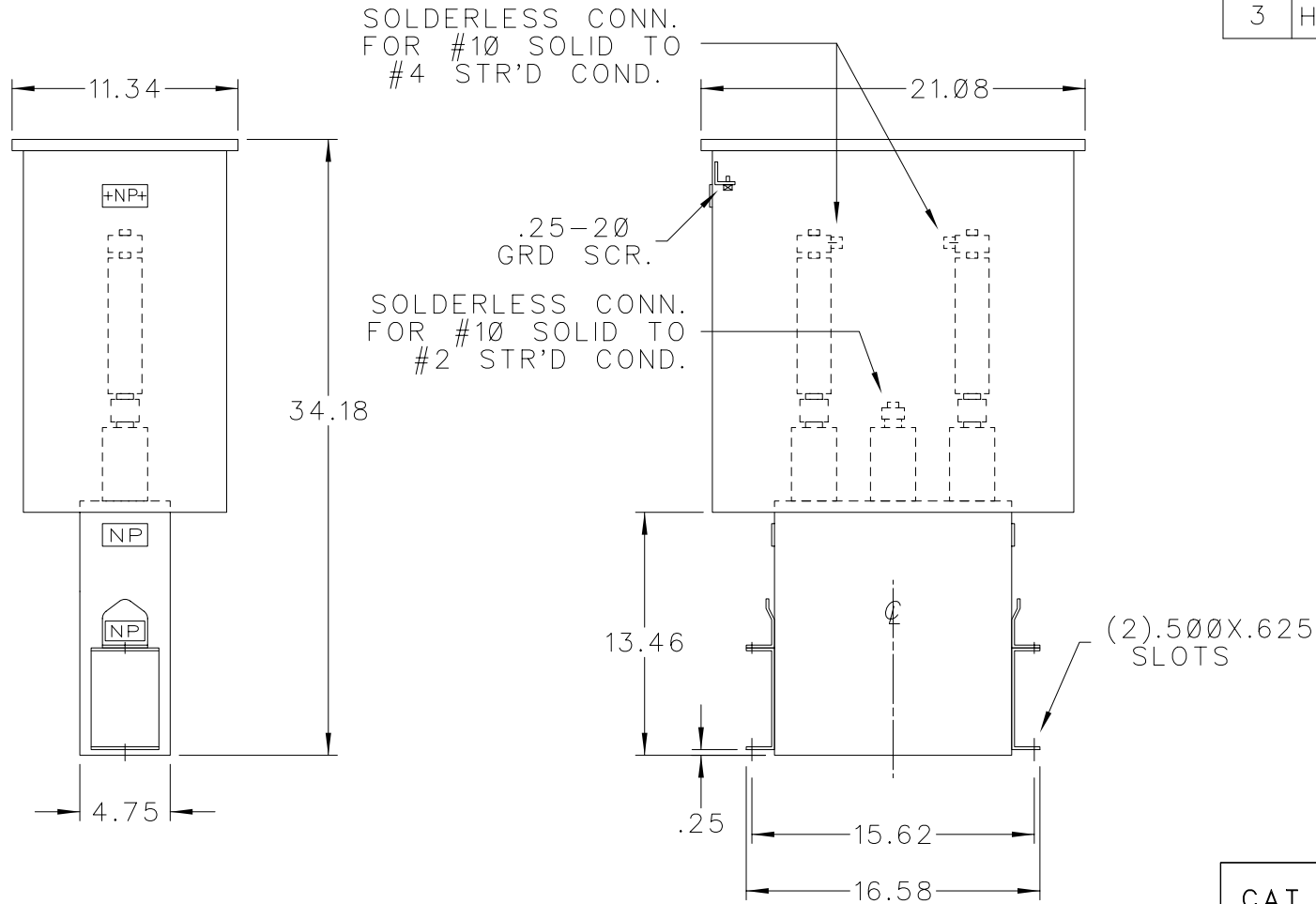



SIZE A	DWG NO. 37F0523315	SH 2	REV
REV 2	3/23/87	DATE	
3	HODGES/UPDATE	13R-89 48	



CAT. 37F0523315 SER.NO.
 KVAR 125 VOLT 4160
 Hz 60 PH 3 CONN. DELTA
 CONN. DIAG.
 READ INST. GEH-2711

NP220452

NOTE:
 ADD "Ø37" SUFFIX TO
 CATALOG NO. FOR
 CSA LABELED PRODUCT.

GENERAL  ELECTRIC	
PWR DEL'Y COMPONENTS OPER. LCTN: HUDSON FALLS NY	
DRAWN M.CHENEY	JANUARY 3, 1984
ISSUED	

SIZE A	APPROX.WT 90 LBS
SCALE	

OUTLINE
 37F0523315

13D-83-06 SHEET 2

DISTR TO