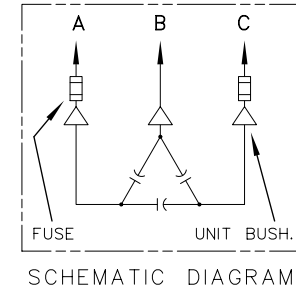
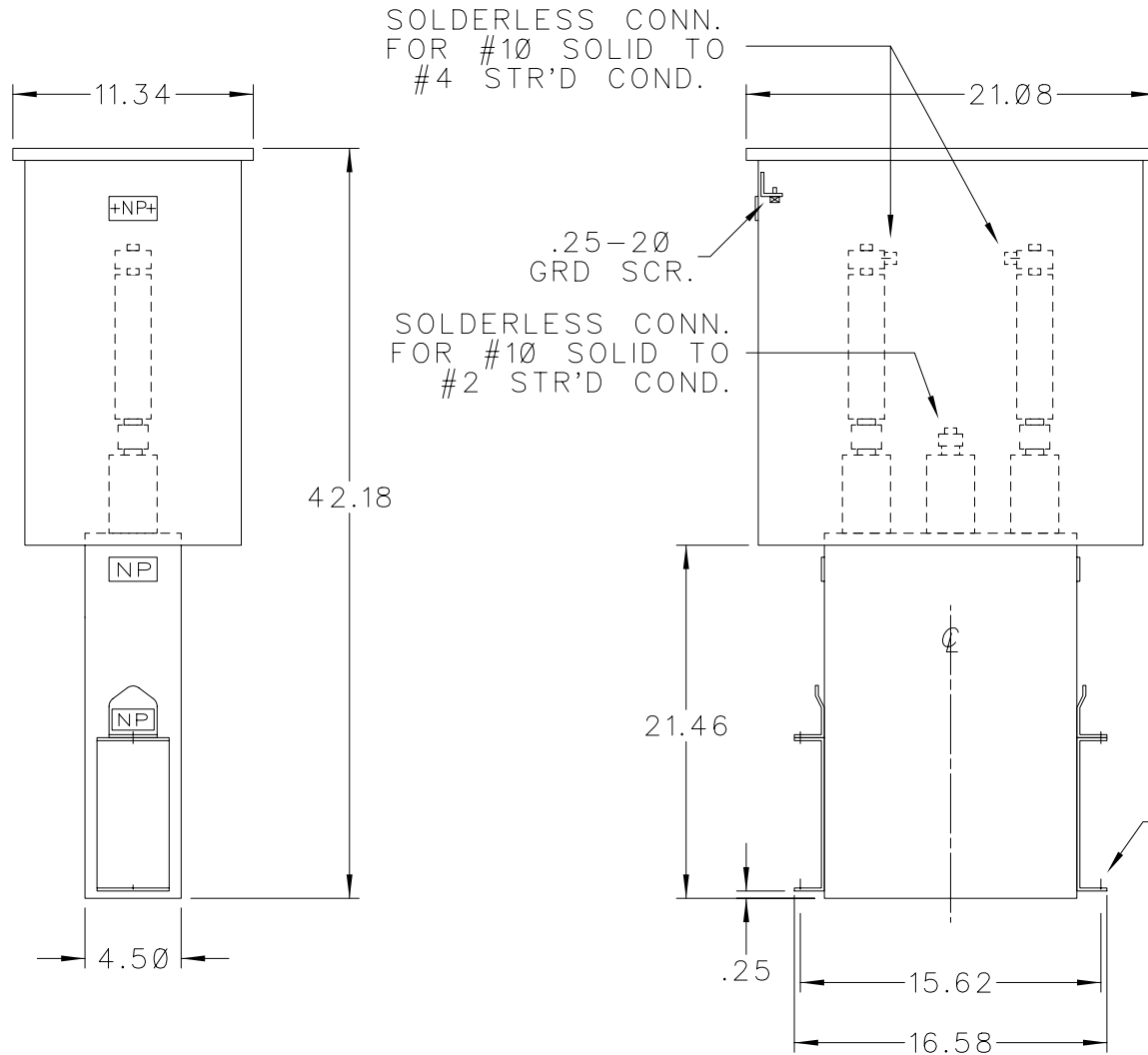



SIZE <b>A</b>	DWG NO. 37F0523317	SH 2	REV
REV 2	3/23/87	DATE	
3	HODGES/UPDATE	13R-89 48	



CAT. 37F0523317 SER.NO.  
 KVAR 200 VOLT 4160  
 Hz 60 PH 3 CONN. DELTA  
 CONN. DIAG.  
 READ INST. GEH-2711

NP220452

NOTE:  
 ADD "Ø37" SUFFIX TO  
 CATALOG NO. FOR  
 CSA LABELED PRODUCT.

GENERAL  ELECTRIC	
PWR DEL'Y COMPONENTS OPER.	LCTN: HUDSON FALLS NY
DRAWN M.CHENEY	DECEMBER 7, 1983
ISSUED	

SIZE <b>A</b>	APPROX.WT 115 LBS
SCALE	13D-83-06

OUTLINE 37F0523317	
SHEET 2	

DISTR TO