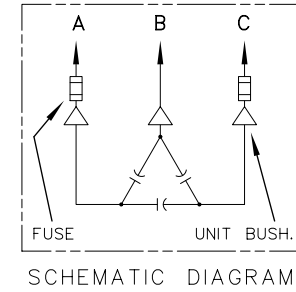
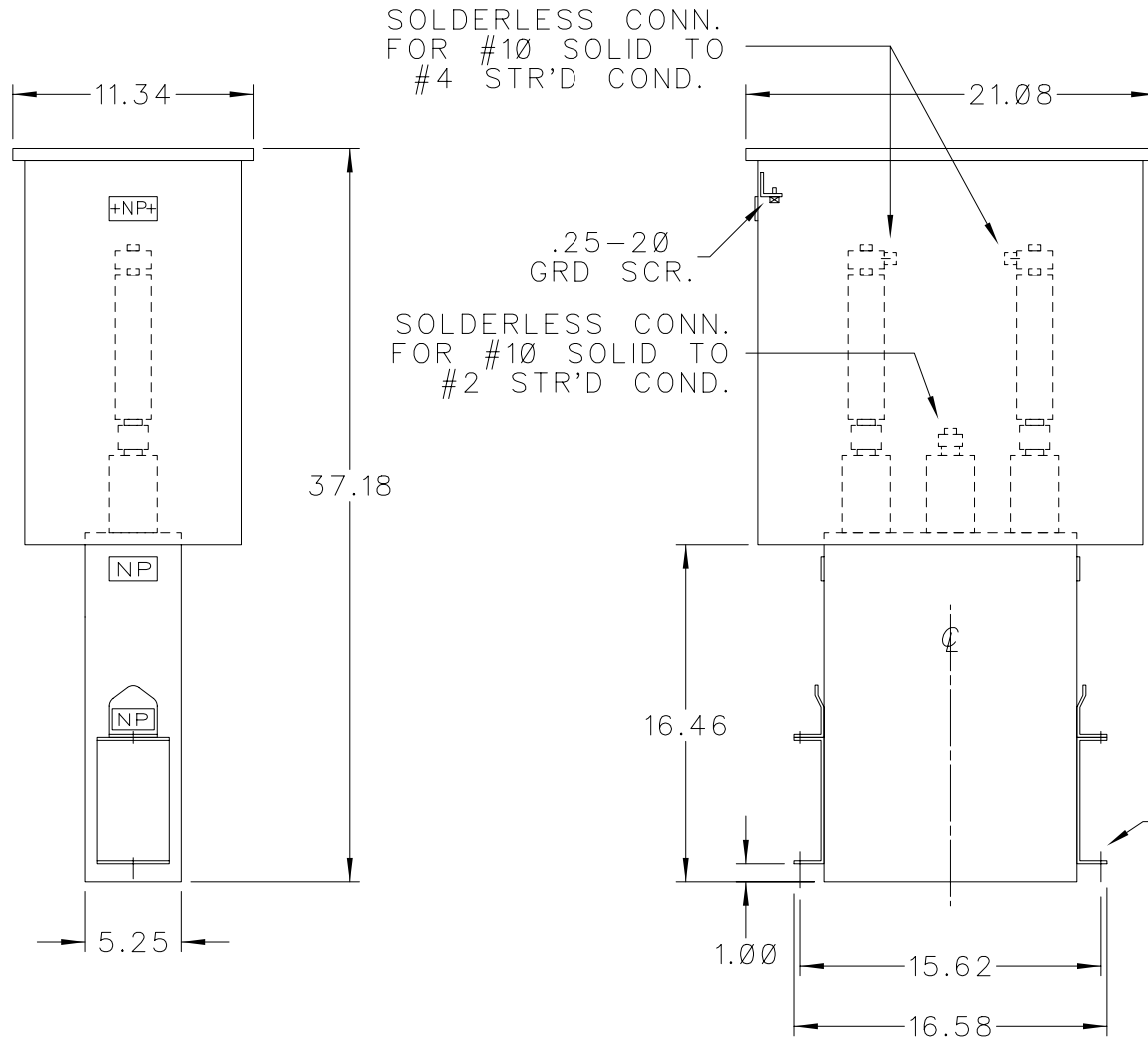



SIZE A	DWG NO. 37F0523318	SH 2	REV
REV	NEW 3/23/87	DATE	
1	HODGES/UPDATE	13R-89 48	



CAT. 37F0523318 SER.NO.
 KVAR 175 VOLT 4160
 Hz 60 PH 3 CONN. DELTA
 CONN. DIAG.
 READ INST. GEH-2711

NP220452

NOTE:
 ADD "Ø37" SUFFIX TO
 CATALOG NO. FOR
 CSA LABELED PRODUCT.

GENERAL  ELECTRIC		SIZE A
PWR DEL'Y COMPONENTS OPER. LCTN: HUDSON FALLS NY		APPROX.WT 107 LBS
DRAWN <i>W. DeGross</i>	MARCH 18, 1987	
ISSUED	SCALE	

OUTLINE
37F0523318
 13D87-04 SHEET 2

DISTR TO