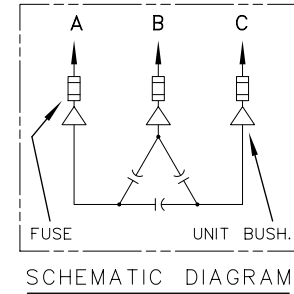
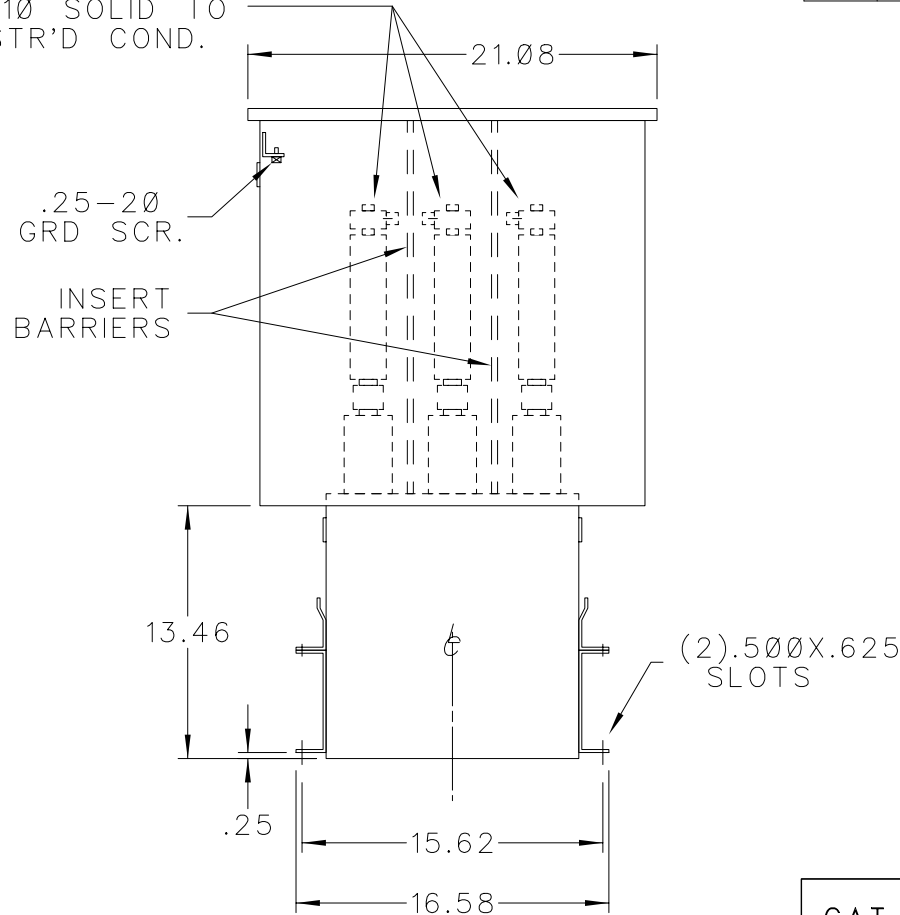
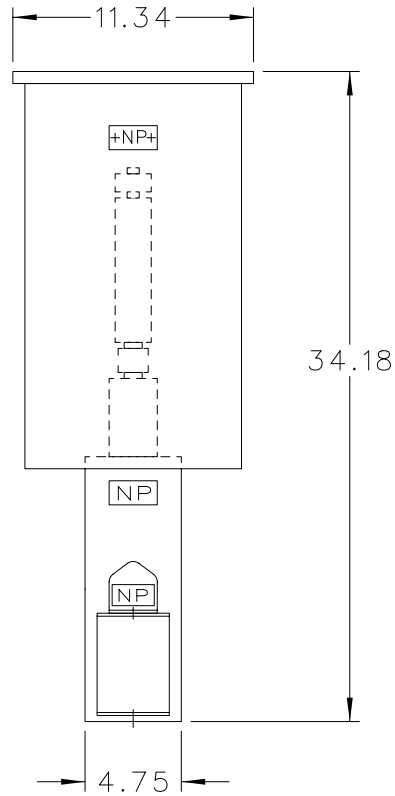


SIZE A	DWG NO. 37F0523335	SH 2	REV
REV 1	6/15/87	DATE	
2	HODGES/UPDATE	13R-89	48

SOLDERLESS CONN.
FOR #10 SOLID TO
#4 STR'D COND.




CAT. 37F0523335 SER.NO.
KVAR 125 VOLT 4160
Hz 60 PH 3 CONN. DELTA
CONN. DIAG.

READ INST. GEH-2711

NP220452

NOTE:
ADD "037" SUFFIX TO
CATALOG NO. FOR
CSA LABELED PRODUCT.

GENERAL  ELECTRIC	
CAP. & PWR PROTECTION OPER. LCTN: HUDSON FALLS NY	
DRAWN M.CHENEY	NOVEMBER 21, 1985
ISSUED	

SIZE A	APPROX.WT 101 LBS
SCALE	13R-85-170

OUTLINE
37F0523335

SHEET 2

DISTR TO