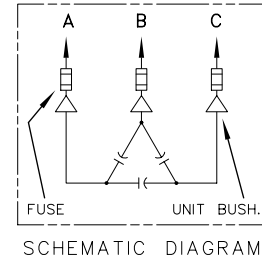
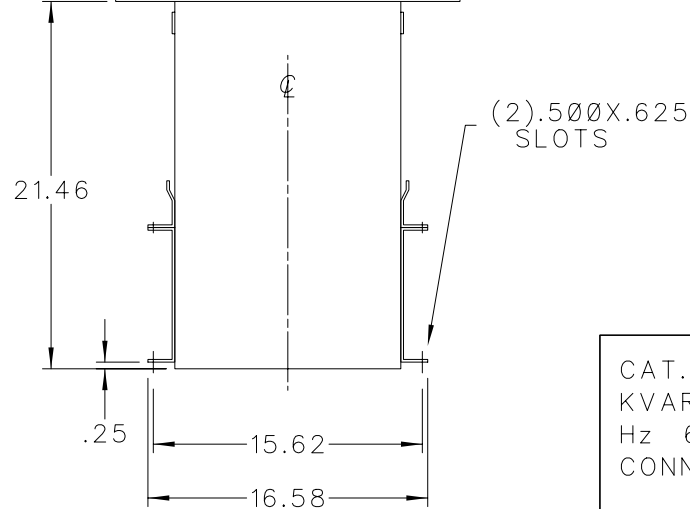
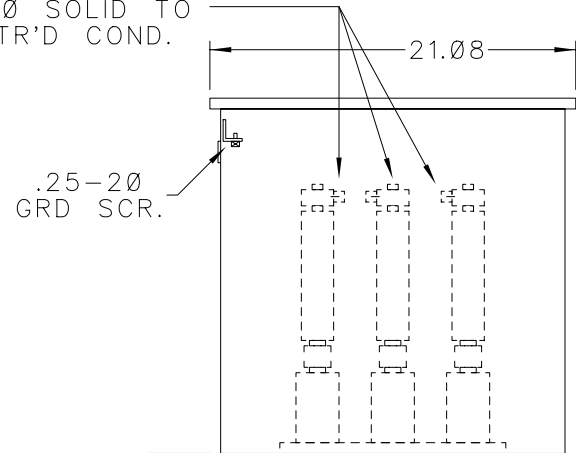
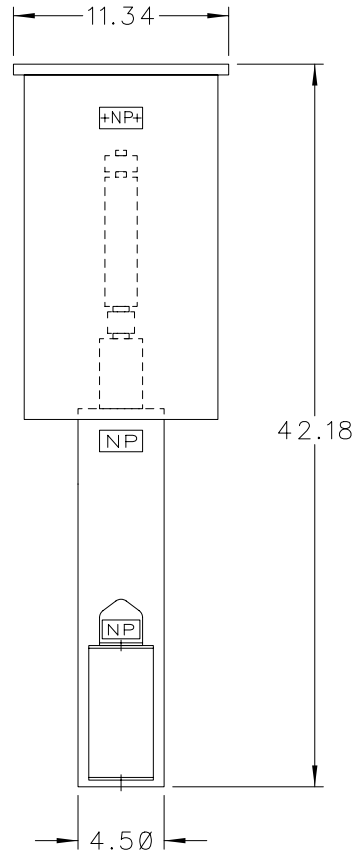


SIZE A	DWG NO. 37F0523337	SH 2	REV
REV	NEW 5/4/89	DATE	ADD "037" SUFFIX TO
1	HODGES/CHG.WT. 13R-89 48	NOTE	CATALOG NO. FOR CSA LABELED PRODUCT.


SOLDERLESS CONN.
FOR #10 SOLID TO
#4 STR'D COND.



CAT. 37F0523337 SER.NO.
KVAR 200 VOLT 4160
Hz 60 PH 3 CONN. DELTA
CONN. DIAG.

READ INST. GEH-2711

NP220452

GENERAL  ELECTRIC	
PWR & CAP PROTECTION OPER. LCTN: FORT EDWARD NY	
DRAWN MEASECK	APR 26, 1989
ISSUED	

SIZE A	APPROX. WT 126 LBS
SCALE	13D

OUTLINE 37F0523337	
SHEET	2

DISTR TO