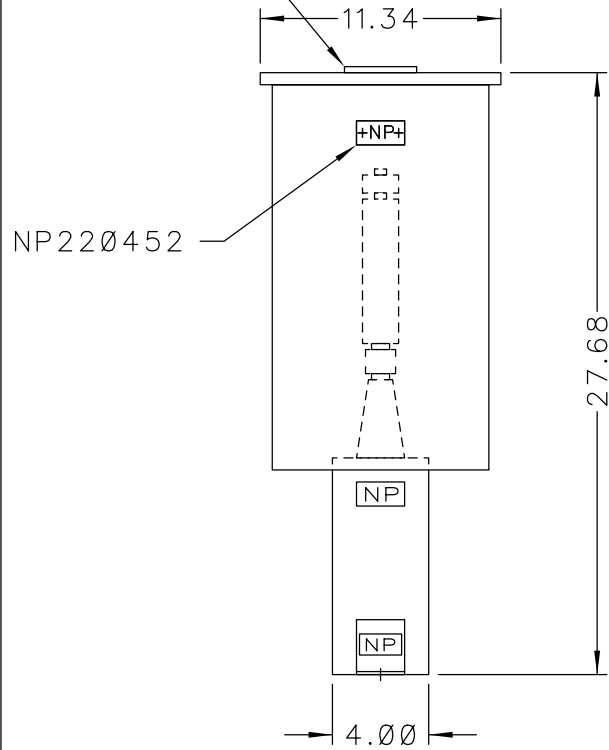
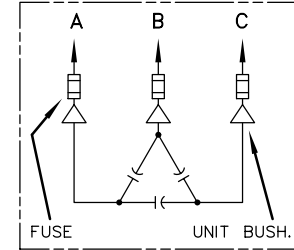
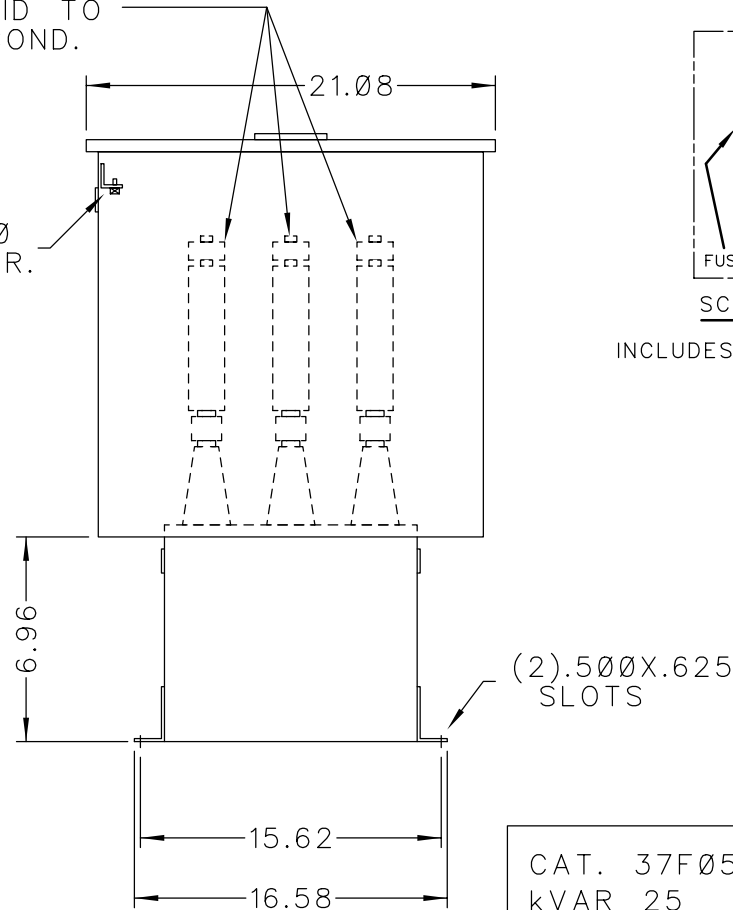


101N140
LOCATE ON
CENTER OF
COVER

SOLDERLESS CONN.
FOR #10 SOLID TO
#4 STR'D COND.



.25-20
GRD SCR.




SCHEMATIC DIAGRAM

INCLUDES DISCHARGE RESISTORS

CAT. 37F0523431 SER.NO.
kVAR 25 Hz 60 Ph 3
VOLT 4160 CONN. DELTA
DIAG
NP220452 GEH-2711

NOTE:
ADD "037" SUFFIX TO
CATALOG NO. FOR
CSA LABELED PRODUCT.

 CAPACITOR & POWER PROTECTION FORT EDWARD, N.Y., U.S.A.	SIZE A	APPROX.WT 64 LBS
	DRAWN E.McGINN	MAY 13, 1994
ISSUED	SCALE	

OUTLINE
37F0523431

SHEET 2

DISTR TO