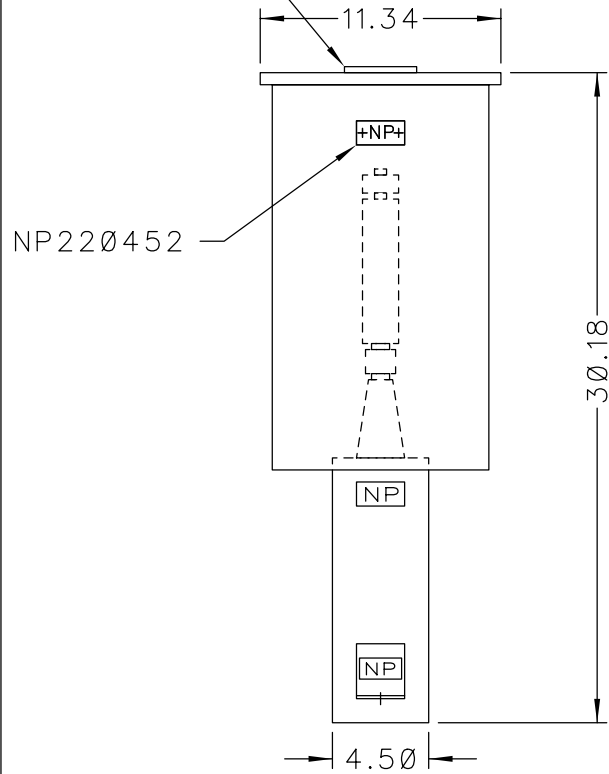
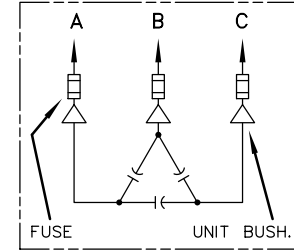
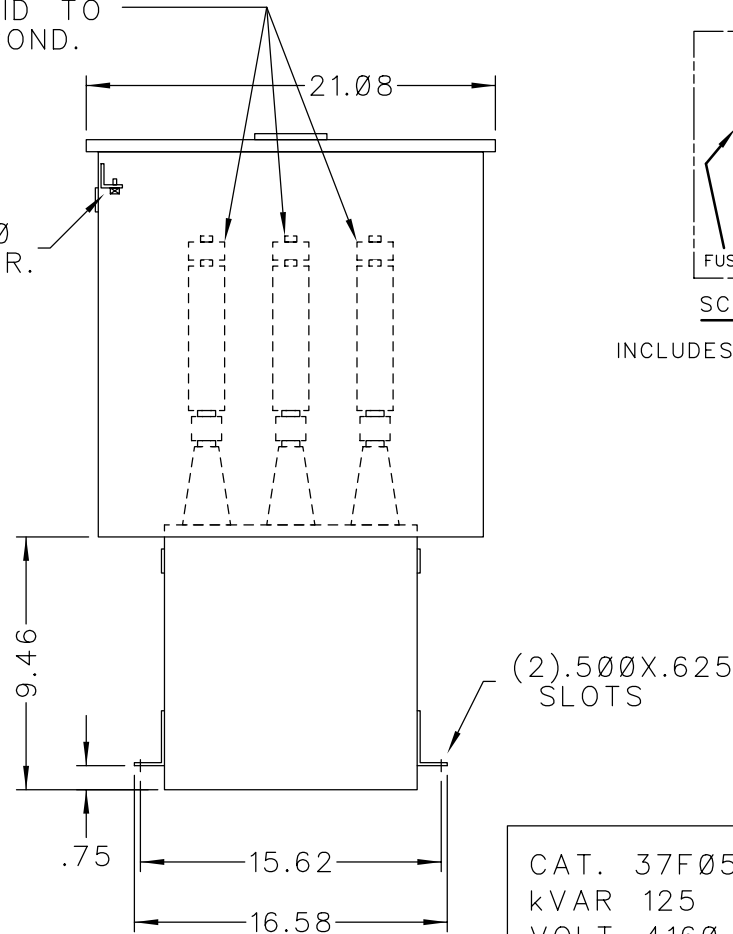


1Ø1N14Ø
LOCATE ON
CENTER OF
COVER

SOLDERLESS CONN.
FOR #1Ø SOLID TO
#4 STR'D COND.



.25-2Ø
GRD SCR.




SCHEMATIC DIAGRAM

INCLUDES DISCHARGE RESISTORS

CAT. 37F0523435 SER.NO.
kVAR 125 Hz 6Ø Ph 3
VOLT 416Ø CONN. DELTA
DIAG
NP22Ø452
GEH-2711

NOTE:
ADD "Ø37" SUFFIX TO
CATALOG NO. FOR
CSA LABELED PRODUCT.

 <p>CAPACITOR & POWER PROTECTION FORT EDWARD, N.Y., U.S.A.</p>	SIZE A	APPROX.WT 76 LBS
	DRAWN E.McGINN ISSUED 5-18-94	MAY 17, 1994 SCALE

OUTLINE
37F0523435

SHEET 2

DISTR TO