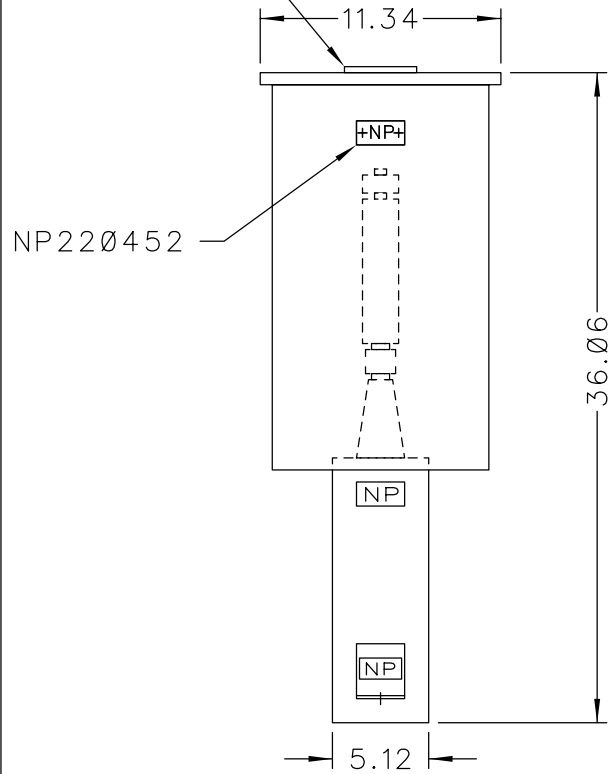


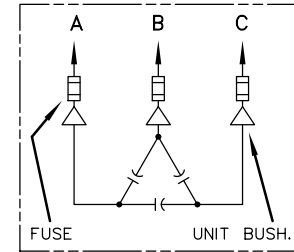
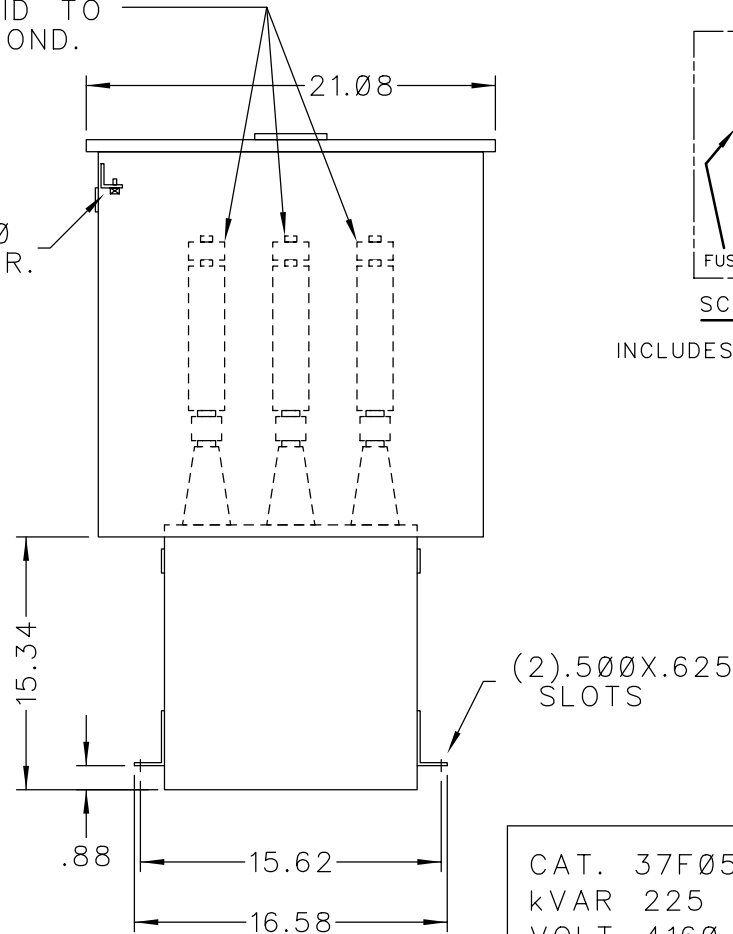
SIZE A	DWG NO. 37F0523439	SH 2	REV
REV 1	McGINN DEL BARRIERS	DATE	

101N140
LOCATE ON
CENTER OF
COVER

SOLDERLESS CONN.
FOR #10 SOLID TO
#4 STR'D COND.



.25-20
GRD SCR.




SCHEMATIC DIAGRAM

INCLUDES DISCHARGE RESISTORS

CAT. 37F0523439 SER.NO.
kVAR 225 Hz 60 Ph 3
VOLT 4160 CONN. DELTA
DIAG
NP220452 GEH-2711

NOTE:
ADD "037" SUFFIX TO
CATALOG NO. FOR
CSA LABELED PRODUCT.

 CAPACITOR & POWER PROTECTION FORT EDWARD, N.Y., U.S.A.	SIZE A	APPROX. WT 103 LBS
	DRAWN JCozzens ISSUED 7-30-97	JULY 29, 1997 SCALE

OUTLINE
37F0523439

SHEET 2

DISTR TO