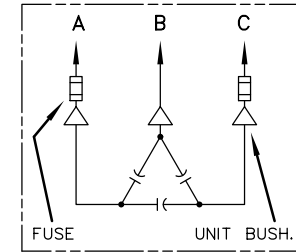
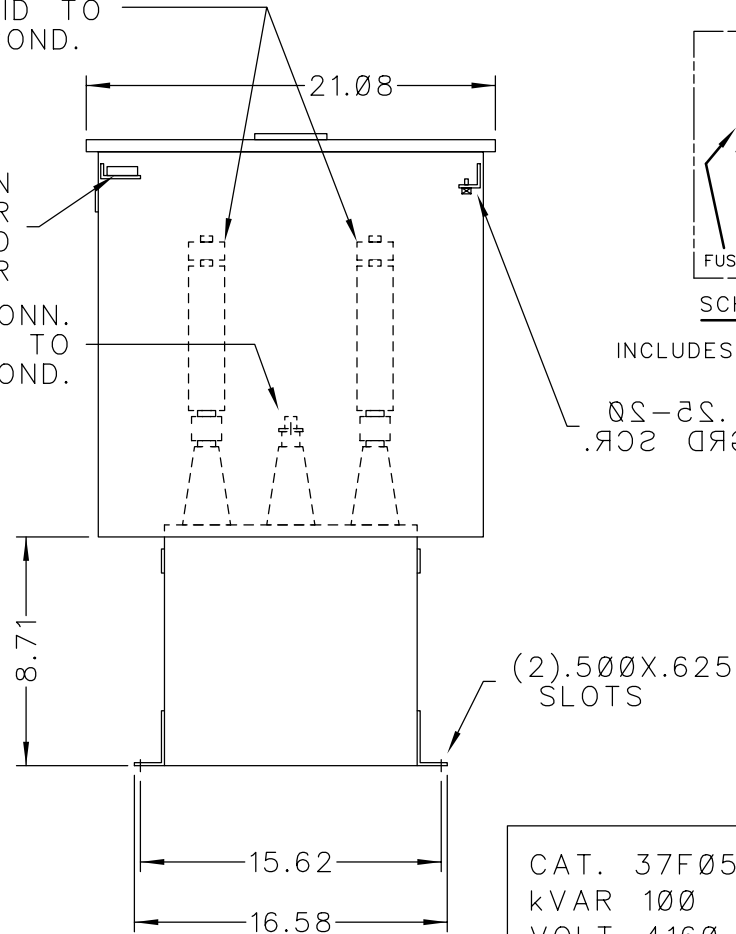


SOLDERLESS CONN.
FOR #10 SOLID TO
#4 STR'D COND.

CONNECTION
FOR USER
SUPPLIED
120V POWER

SOLDERLESS CONN.
FOR #10 SOLID TO
#2 STR'D COND.




SCHEMATIC DIAGRAM

INCLUDES DISCHARGE RESISTORS

05-25.
R02 SCR.

CAT. 37F0523514 SER.NO.
kVAR 100 Hz 60 Ph 3
VOLT 4160 CONN. DELTA
DIAG
NP220452 GEH-2711

NOTE:
ADD "037" SUFFIX TO
CATALOG NO. FOR
CSA LABELED PRODUCT.

 CAPACITOR & POWER PROTECTION FORT EDWARD, N.Y., U.S.A.	SIZE A	APPROX.WT 69 LBS
	SCALE	
DRAWN E.McGINN	SEPT. 15, 1998	
ISSUED		

OUTLINE
37F0523514