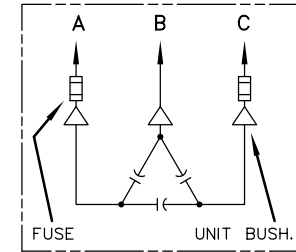
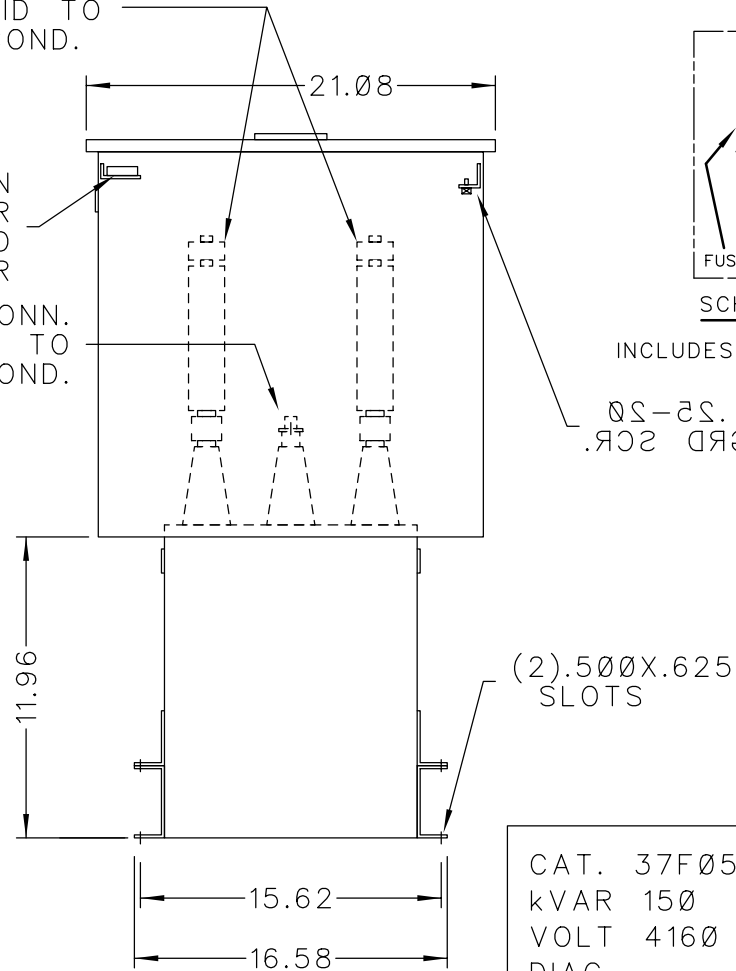


SOLDERLESS CONN.  
FOR #10 SOLID TO  
#4 STR'D COND.

CONNECTION  
FOR USER  
SUPPLIED  
120V POWER

SOLDERLESS CONN.  
FOR #10 SOLID TO  
#2 STR'D COND.



SCHEMATIC DIAGRAM

INCLUDES DISCHARGE RESISTORS

05-50.  
GRD SCR.

CAT. 37F0523516 SER.NO.  
kVAR 150 Hz 60 Ph 3  
VOLT 4160 CONN. DELTA  
DIAG  
NP220452 GEH-2711

NOTE:  
ADD "037" SUFFIX TO  
CATALOG NO. FOR  
CSA LABELED PRODUCT.

|   |                             |
|---|-----------------------------|
| <p>CAPACITOR &amp; POWER PROTECTION<br/>FORT EDWARD, N.Y., U.S.A.</p> | <p>SIZE<br/><b>A</b></p>    |
|   | <p>APPROX.WT<br/>81 LBS</p> |
| <p>DRAWN E.McGINN</p>   | <p>SEPT. 15, 1998</p>       |
| <p>ISSUED</p>   | <p>SCALE</p>                |

OUTLINE  
37F0523516