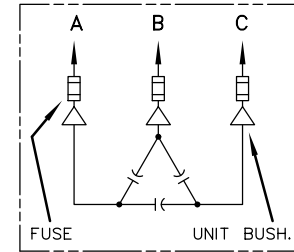
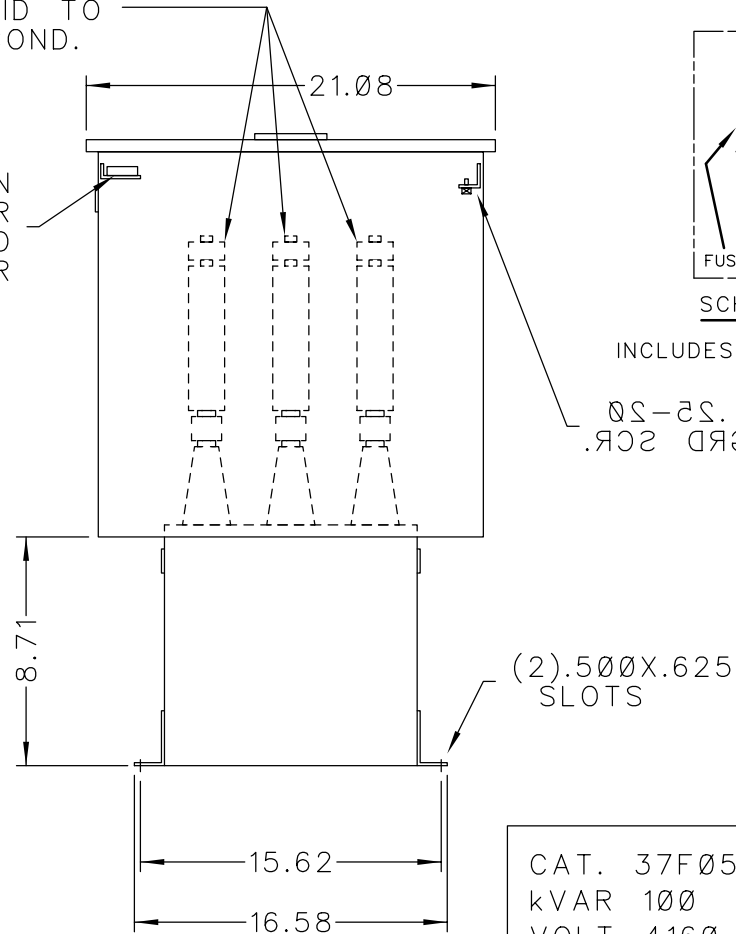


SOLDERLESS CONN.  
FOR #10 SOLID TO  
#4 STR'D COND.

CONNECTION  
FOR USER  
SUPPLIED  
120V POWER



SCHEMATIC DIAGRAM

INCLUDES DISCHARGE RESISTORS

05-25.  
R02 R03

CAT. 37F0523534 SER.NO.  
kVAR 100 Hz 60 Ph 3  
VOLT 4160 CONN. DELTA  
DIAG  
NP220452 GEH-2711

NOTE:  
ADD "037" SUFFIX TO  
CATALOG NO. FOR  
CSA LABELED PRODUCT.

<p>CAPACITOR &amp; POWER PROTECTION FORT EDWARD, N.Y., U.S.A.</p>	<p>DRAWN E.McGINN</p>	<p>SEPT. 16, 1998</p>
	<p>ISSUED</p>	<p>SCALE</p>

<p>SIZE <b>A</b></p>	<p>APPROX.WT 69 LBS</p>
<p>SCALE</p>	

<p>OUTLINE 37F0523534</p>	<p>SHEET 2</p>
-------------------------------	----------------