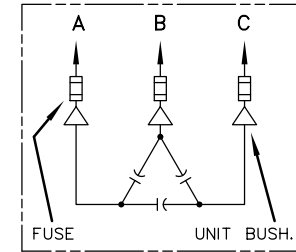
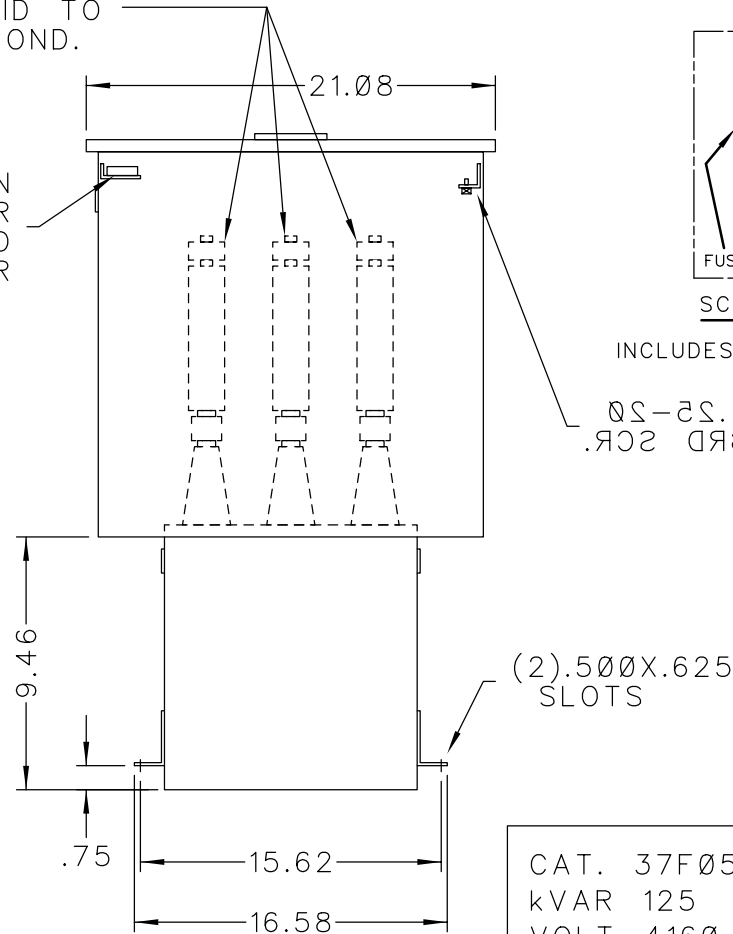


SOLDERLESS CONN.
FOR #10 SOLID TO
#4 STR'D COND.

CONNECTION
FOR USER
SUPPLIED
120V POWER




SCHEMATIC DIAGRAM

INCLUDES DISCHARGE RESISTORS

05-50.
R02 SCR.

CAT. 37F0523535 SER.NO.
kVAR 125 Hz 60 Ph 3
VOLT 4160 CONN. DELTA
DIAG
NP220452
GEH-2711

NOTE:
ADD "037" SUFFIX TO
CATALOG NO. FOR
CSA LABELED PRODUCT.

 CAPACITOR & POWER PROTECTION FORT EDWARD, N.Y., U.S.A.	DRAWN E.McGINN ISSUED	SEPT. 16, 1998
	SCALE	

SIZE A	APPROX.WT 76 LBS
SCALE	

OUTLINE 37F0523535	SHEET 2
DISTR TO	