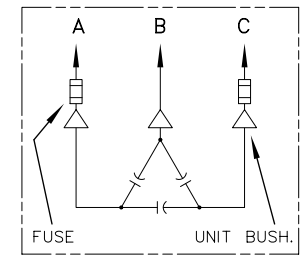
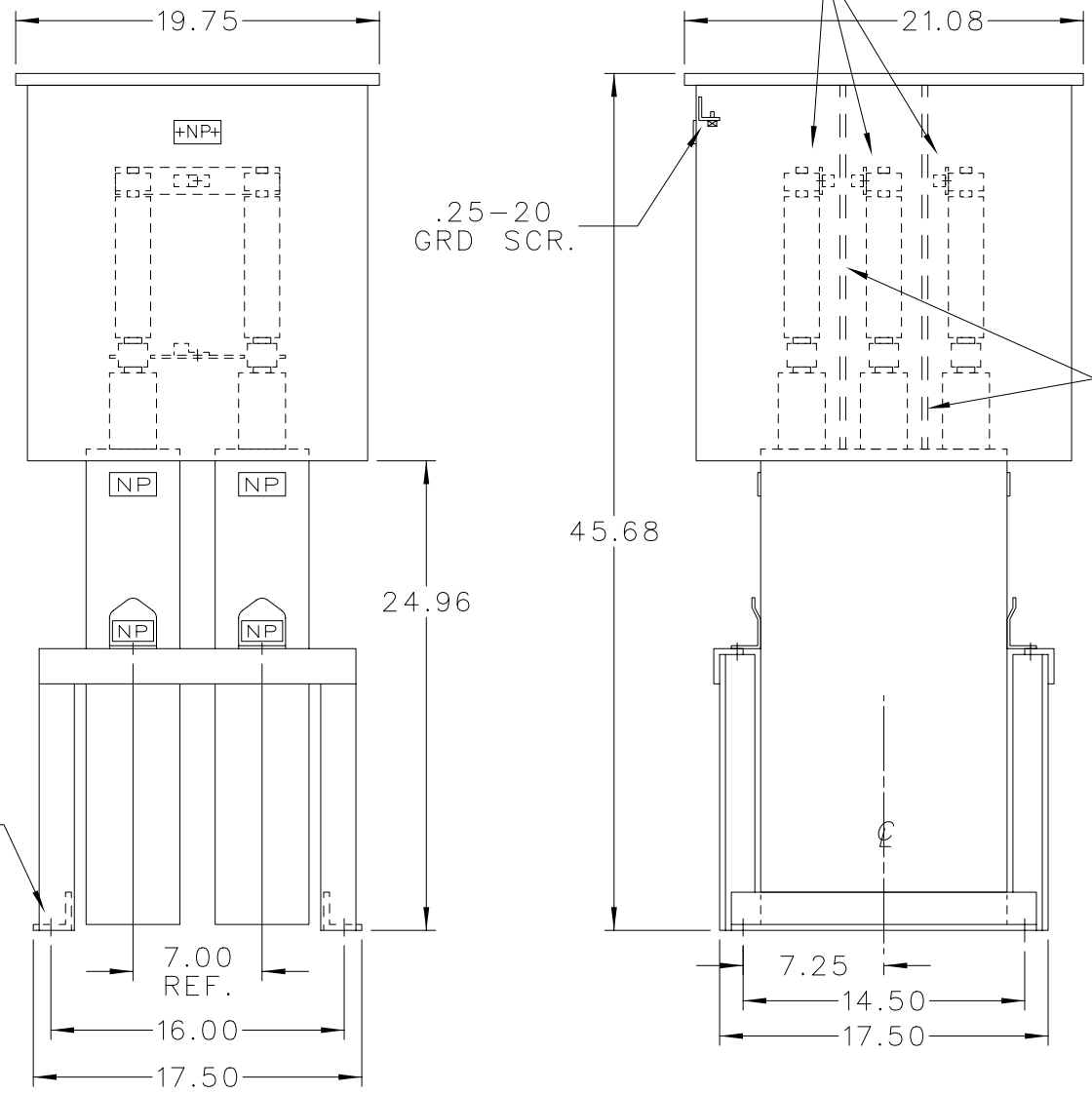


TERMINAL FOR
#14 TO 1/0 CABLE



SCHEMATIC DIAGRAM

CAT. 37F0524338 SER.NO.
KVAR 400 VOLT 4160
Hz 60 PH 3 CONN. DELTA
CONN. DIAG.

READ INST. GEH-2711

NP220452

NOTE:
ADD "Ø37" SUFFIX TO
CATALOG NO. FOR
CSA LABELED PRODUCT.

<p>CAPACITOR & POWER PROTECTION FORT EDWARD, N.Y., U.S.A.</p>	<p>DRAWN W.DeGroff</p>	<p>JULY 18, 1991</p>
	<p>ISSUED</p>	<p>SCALE</p>

<p>SIZE A</p>	<p>APPROX.WT 248 LBS</p>
<p>13D91</p>	<p>SHEET 2</p>

OUTLINE
37F0524338

DISTR TO