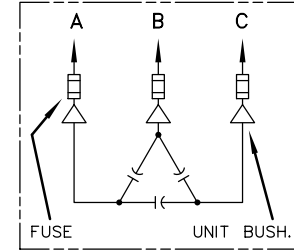
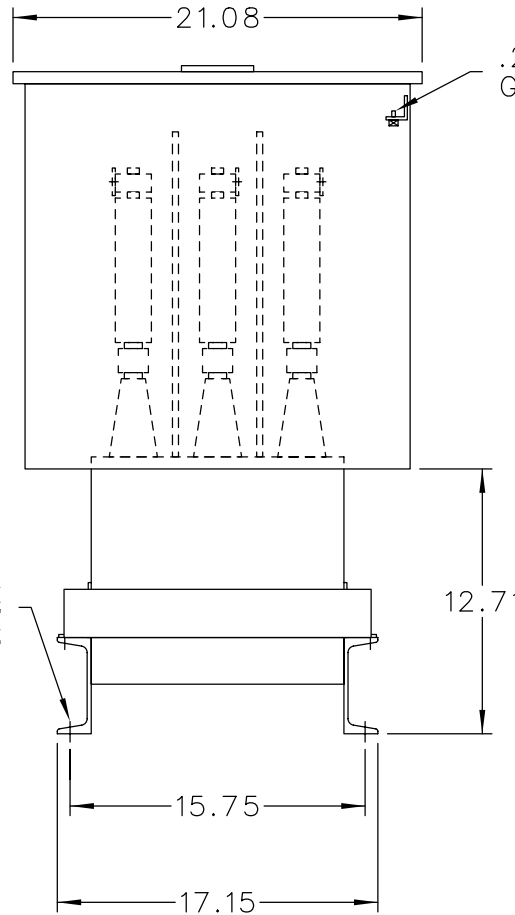
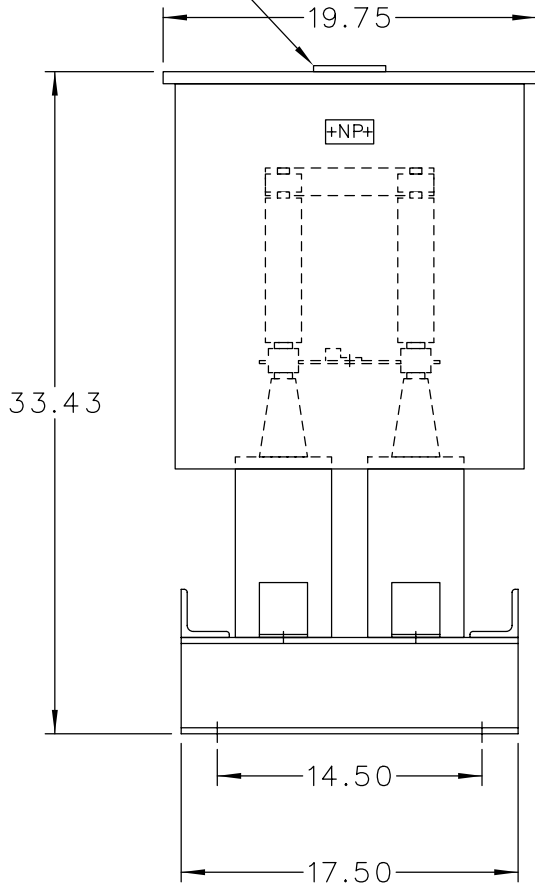


101N14Ø
LOCATE ON
CENTER OF
COVER



SCHEMATIC DIAGRAM

INCLUDES DISCHARGE RESISTORS

CAT. 37F0524432 SER.NO.
KVAR 225 VOLT 416Ø
Hz 6Ø PH 3 CONN. DELTA
CONN. DIAG.

READ INST. GEH-2711

NP22Ø452

NOTE:
ADD "Ø37" SUFFIX TO
CATALOG NO. FOR
CSA LABELED PRODUCT.

<p>CAPACITOR & POWER PROTECTION FORT EDWARD, N.Y., U.S.A.</p>	<p>DRAWN E.McGINN</p>	<p>MAY 17, 1994</p>
	<p>ISSUED</p>	

<p>SIZE A</p>	<p>APPROX.WT 132 LBS</p>
<p>SCALE</p>	

<p>OUTLINE 37F0524432</p>	<p>SHEET 2</p>
-------------------------------	--------------------

DISTR TO