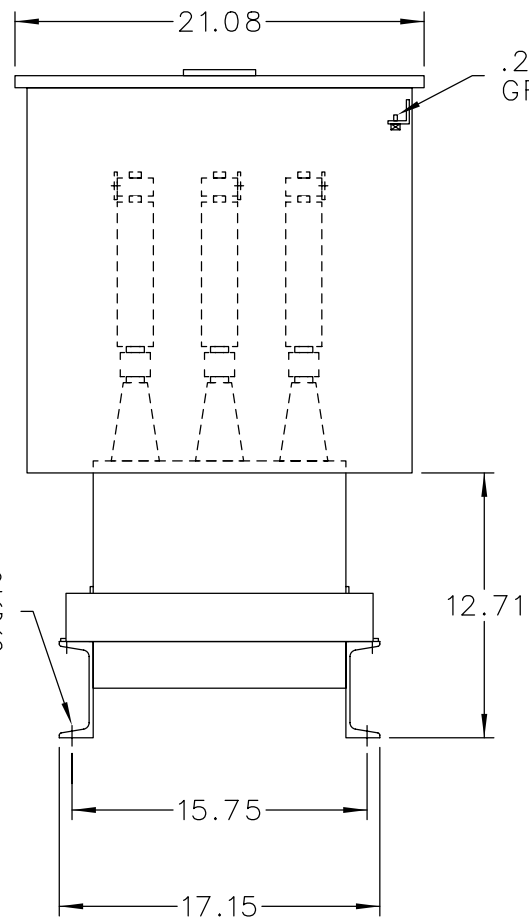
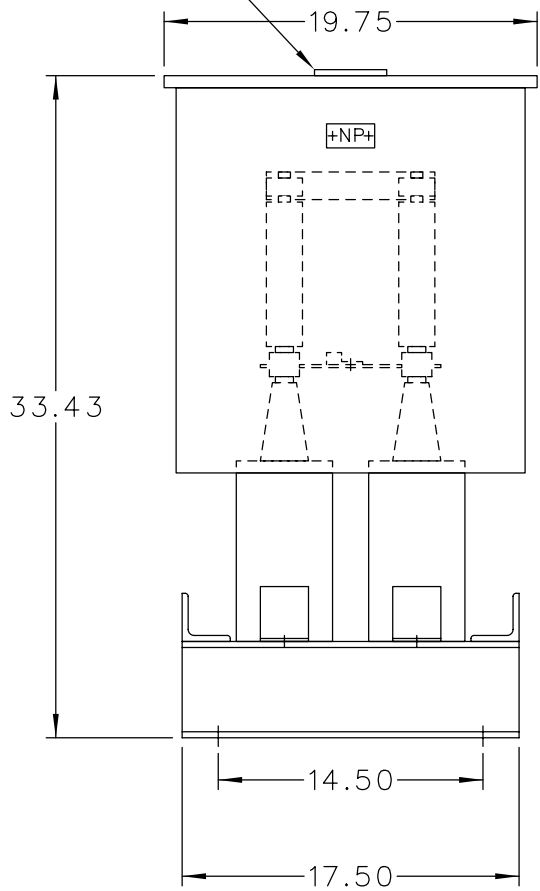
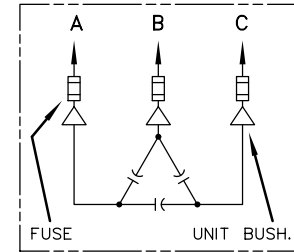


1Ø1N14Ø
LOCATE ON
CENTER OF
COVER



.25-20
GRD SCR.



SCHEMATIC DIAGRAM

INCLUDES DISCHARGE RESISTORS

CAT. 37F0524436 SER.NO.
KVAR 325 VOLT 416Ø
Hz 6Ø PH 3 CONN. DELTA
CONN. DIAG.

READ INST. GEH-2711

NP22Ø452

NOTE:
ADD "Ø37" SUFFIX TO
CATALOG NO. FOR
CSA LABELED PRODUCT.

<p>CAPACITOR & POWER PROTECTION FORT EDWARD, N.Y., U.S.A.</p>	SIZE A	APPROX. WT 154 LBS
	DRAWN E.McGINN MAY 17, 1994 ISSUED 7-3Ø-97	

OUTLINE
37F0524436

SHEET 2

DISTR TO