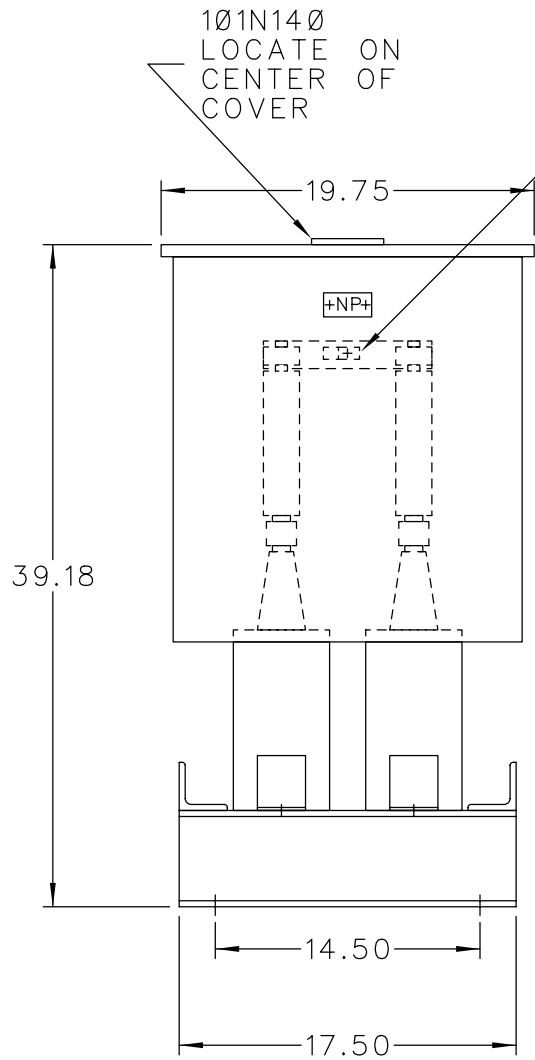
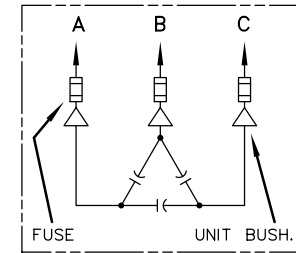
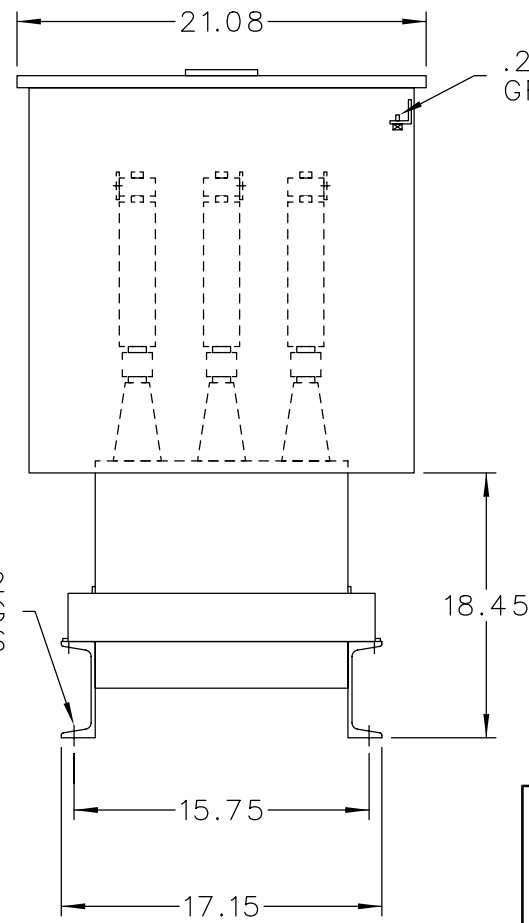


SIZE A	DWG NO. 37F0524447	SH 2	REV
REV 1	McGINN DEL BARRIERS	DATE	



TERMINAL FOR #6
TO 25Ø MCM CABLE



SCHEMATIC DIAGRAM

INCLUDES DISCHARGE RESISTORS

CAT. 37F0524447 SER.NO.
KVAR 600 VOLT 4160
Hz 60 PH 3 CONN. DELTA
CONN. DIAG.

READ INST. GEH-2711

NP220452

NOTE:
ADD "Ø37" SUFFIX TO
CATALOG NO. FOR
CSA LABELED PRODUCT.

	CAPACITOR & POWER PROTECTION FORT EDWARD, N.Y., U.S.A.	
	DRAWN JCozzens	JULY 28, 1997
ISSUED	7-30-97	

SIZE A	APPROX. WT 214 LBS
SCALE	

OUTLINE 37F0524447
SHEET 2

DISTR TO