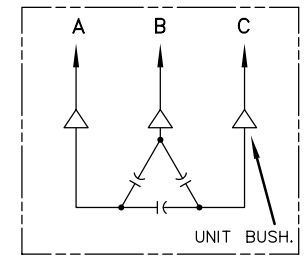
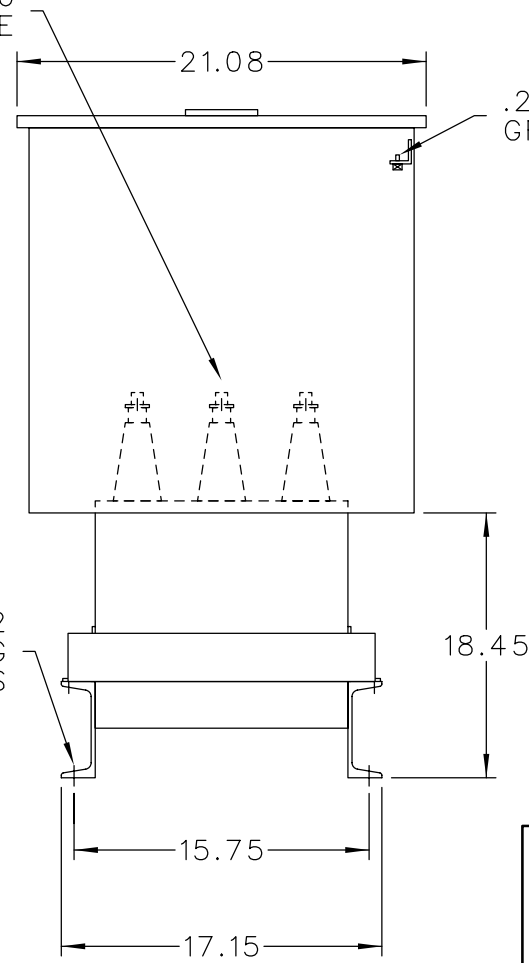


TERMINAL FOR #6
TO 25Ø MCM CABLE



SCHEMATIC DIAGRAM

INCLUDES DISCHARGE RESISTORS

CAT. 37F0524467 SER.NO.
KVAR 600 VOLT 4160
Hz 60 PH 3 CONN. DELTA
CONN. DIAG.

READ INST. GEH-2711

NP220452

NOTE:
ADD "Ø37" SUFFIX TO
CATALOG NO. FOR
CSA LABELED PRODUCT.

<p>CAPACITOR & POWER PROTECTION FORT EDWARD, N.Y., U.S.A.</p>	SIZE A	APPROX. WT 214 LBS
	SCALE	
DRAWN E.McGINN	APR. 13, 1999	
ISSUED		

OUTLINE
37F0524467