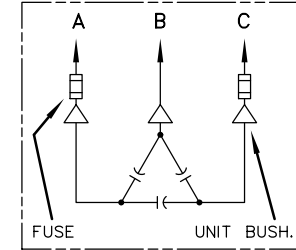
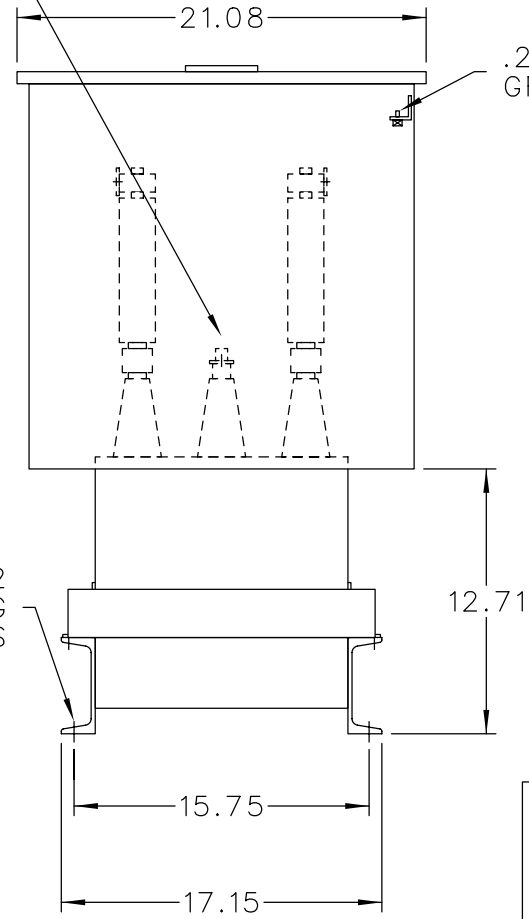
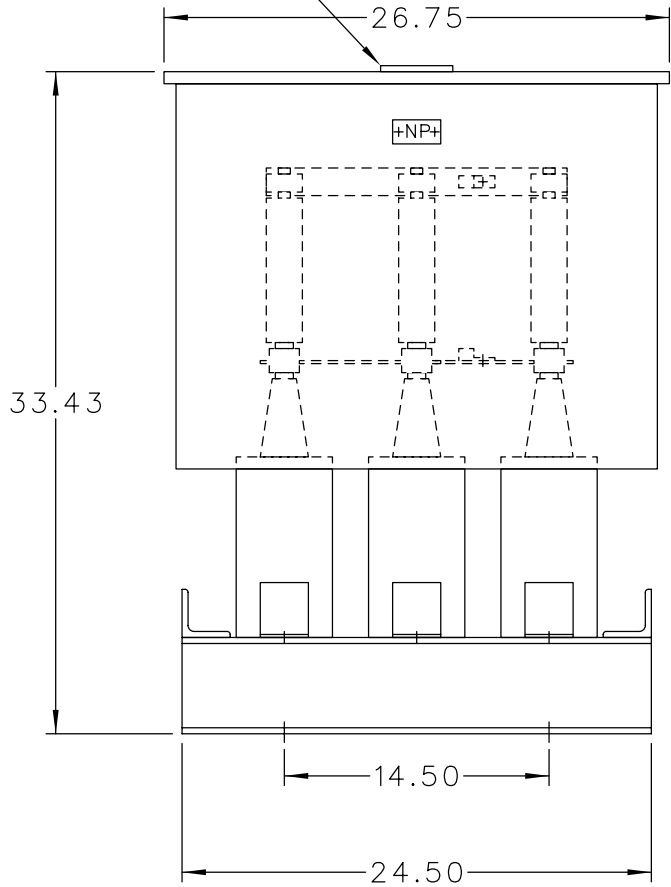


101N140  
LOCATE ON  
CENTER OF  
COVER

TERMINAL FOR #6  
TO 250 MCM CABLE




SCHEMATIC DIAGRAM

INCLUDES DISCHARGE RESISTORS

CAT. 37F0525417 SER.NO.  
KVAR 475 VOLT 4160  
Hz 60 PH 3 CONN. DELTA  
CONN. DIAG.  
  
READ INST. GEH-2711

NP220452

NOTE:  
ADD "037" SUFFIX TO  
CATALOG NO. FOR  
CSA LABELED PRODUCT.

 CAPACITOR & POWER PROTECTION FORT EDWARD, N.Y., U.S.A.	DRAWN E.McGINN ISSUED	MAR. 24, 1993
	SCALE	

SIZE <b>A</b> APPROX. WT 226 LBS
SCALE

OUTLINE <b>37F0525417</b>
SHEET 2

DISTR TO