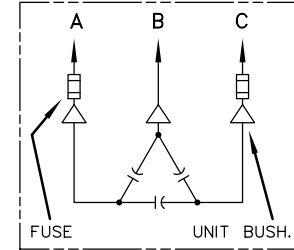
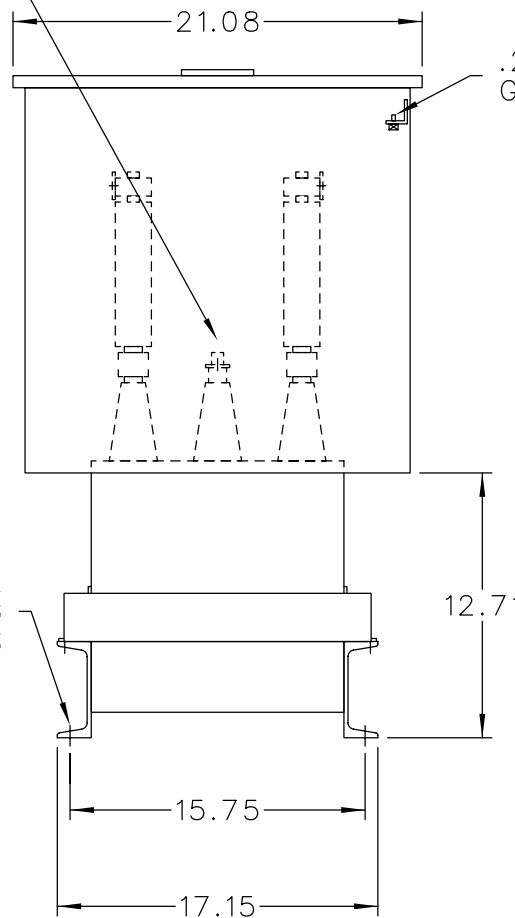
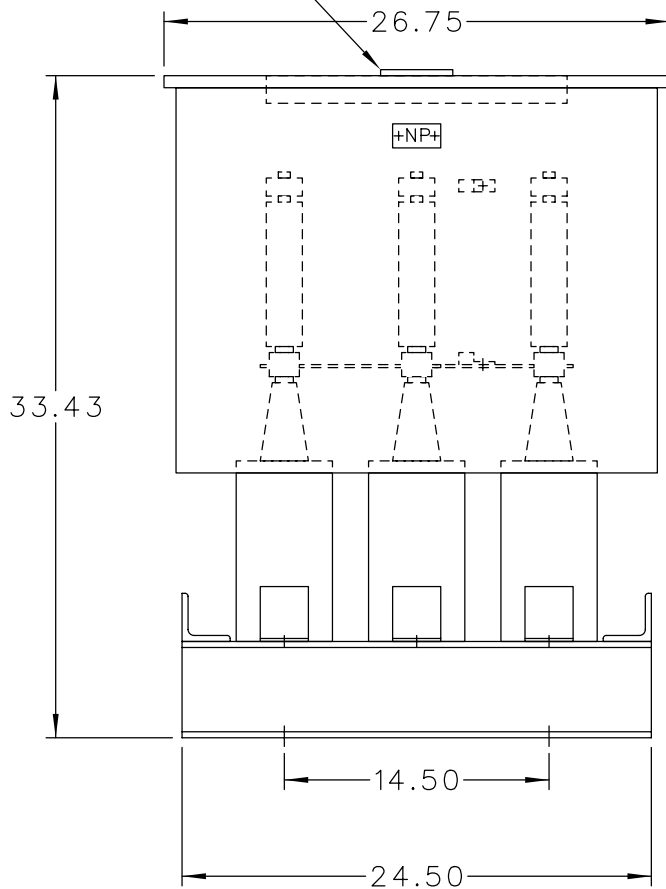


101N140
LOCATE ON
CENTER OF
COVER

TERMINAL FOR #6
TO 250 MCM CABLE



SCHEMATIC DIAGRAM

INCLUDES DISCHARGE RESISTORS

CAT. 37F0525421 SER.NO.
KVAR 600 VOLT 4160
Hz 60 PH 3 CONN. DELTA
CONN. DIAG.

READ INST. GEH-2711

NP220452

NOTE:
ADD "037" SUFFIX TO
CATALOG NO. FOR
CSA LABELED PRODUCT.

<p>CAPACITOR & POWER PROTECTION FORT EDWARD, N.Y., U.S.A.</p>	<p>DRAWN E.McGINN</p>	<p>MAR. 24, 1993</p>
	<p>ISSUED</p>	

<p>SIZE A</p>	<p>APPROX.WT 254 LBS</p>
<p>SCALE</p>	

<p>OUTLINE 37F0525421</p>
<p>SHEET 2</p>

DISTR TO