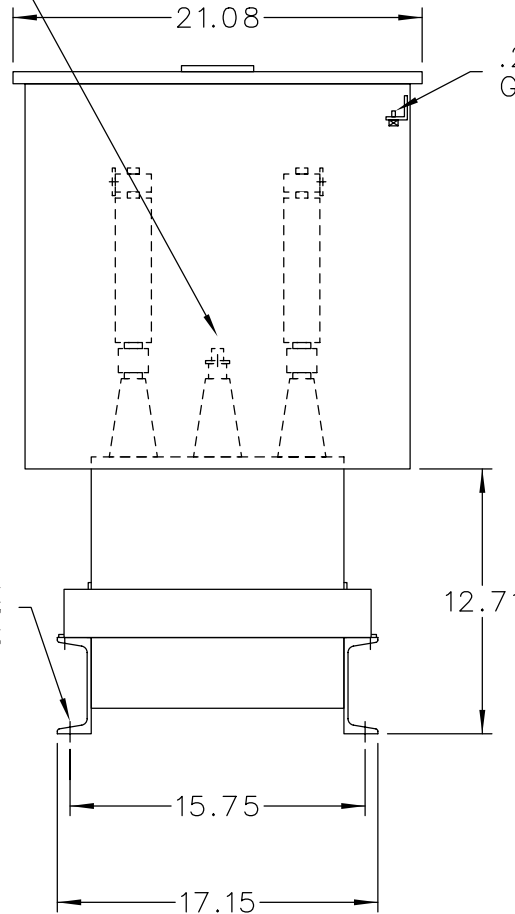
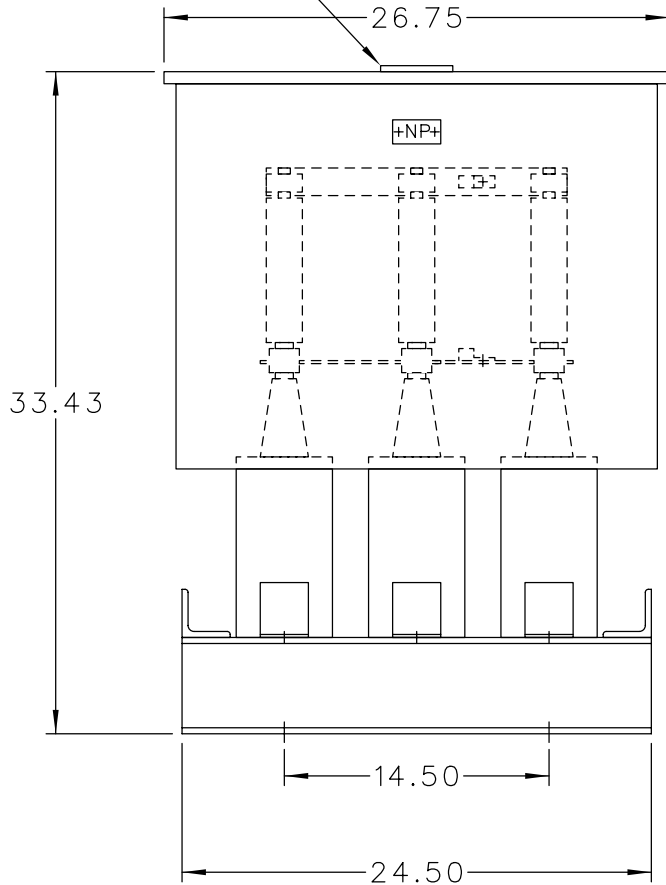
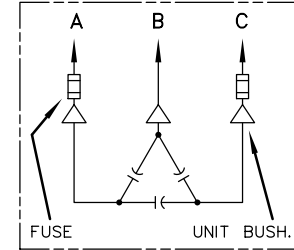


101N140
LOCATE ON
CENTER OF
COVER

TERMINAL FOR #6
TO 250 MCM CABLE



.25-20
GRD SCR.



SCHEMATIC DIAGRAM


INCLUDES DISCHARGE RESISTORS

CAT. 37F0525422 SER.NO.
KVAR 575 VOLT 4160
Hz 60 PH 3 CONN. DELTA
CONN. DIAG.

READ INST. GEH-2711

NP220452

NOTE:
ADD "037" SUFFIX TO
CATALOG NO. FOR
CSA LABELED PRODUCT.

| | | |
|---|-----------------------|----------------------|
|  <p>CAPACITOR & POWER PROTECTION FORT EDWARD, N.Y., U.S.A.</p> | <p>DRAWN E.McGINN</p> | <p>MAR. 24, 1993</p> |
| | <p>ISSUED</p> | <p>SCALE</p> |

SIZE
A

OUTLINE
37F0525422

SHEET 2

DISTR TO