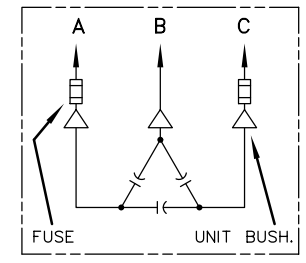
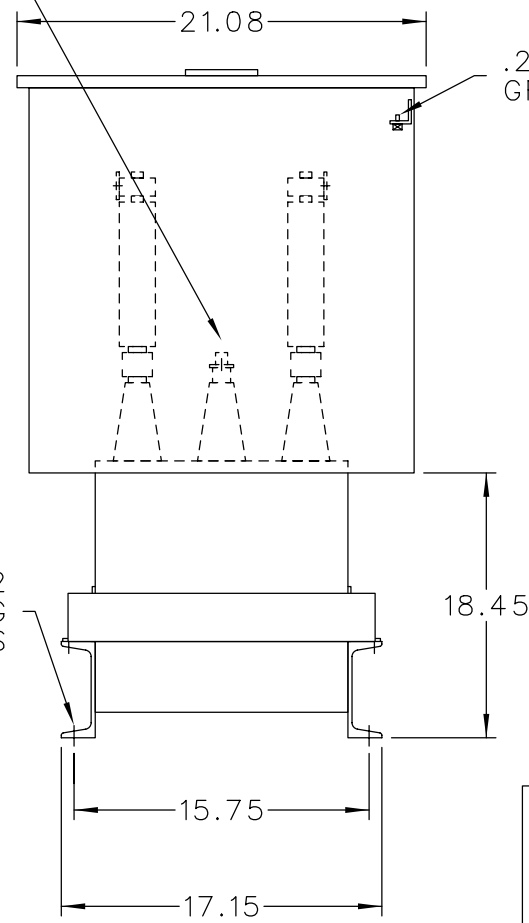


TERMINAL FOR #6
TO 250 MCM CABLE



SCHEMATIC DIAGRAM


INCLUDES DISCHARGE RESISTORS

CAT. 37F0525425 SER.NO.
KVAR 675 VOLT 4160
Hz 60 PH 3 CONN. DELTA
CONN. DIAG.

READ INST. GEH-2711

NP220452

NOTE:
ADD "037" SUFFIX TO
CATALOG NO. FOR
CSA LABELED PRODUCT.

| | | |
|--|--------------------------|-----------------------|
|  CAPACITOR & POWER PROTECTION FORT EDWARD, N.Y., U.S.A. | SIZE A | APPROX. WT 287 LBS |
| | DRAWN JCozzens ISSUED | |
| JULY 28, 1997 | | |

OUTLINE
37F0525425