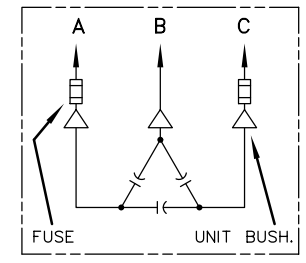
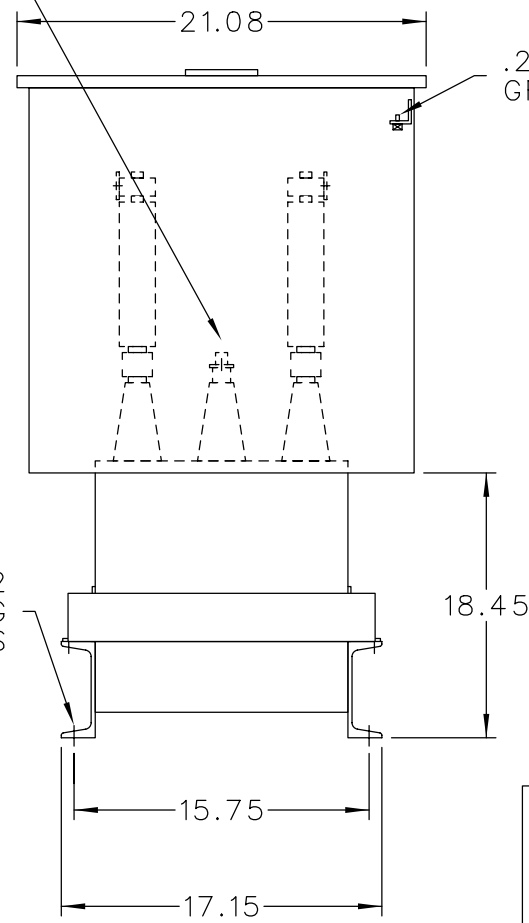


TERMINAL FOR #6  
TO 250 MCM CABLE



SCHEMATIC DIAGRAM

INCLUDES DISCHARGE RESISTORS

CAT. 37F0525431 SER.NO.  
KVAR 825 VOLT 4160  
Hz 60 PH 3 CONN. DELTA  
CONN. DIAG.

READ INST. GEH-2711

NP220452

NOTE:  
ADD "037" SUFFIX TO  
CATALOG NO. FOR  
CSA LABELED PRODUCT.

<p>CAPACITOR &amp; POWER PROTECTION FORT EDWARD, N.Y., U.S.A.</p>	<p>SIZE <b>A</b></p>	<p>APPROX. WT 331 LBS</p>
	<p>DRAWN JCozzens</p>	
<p>JULY 28, 1997</p>	<p>ISSUED</p>	<p>SHEET 2</p>

OUTLINE  
37F0525431

DISTR TO